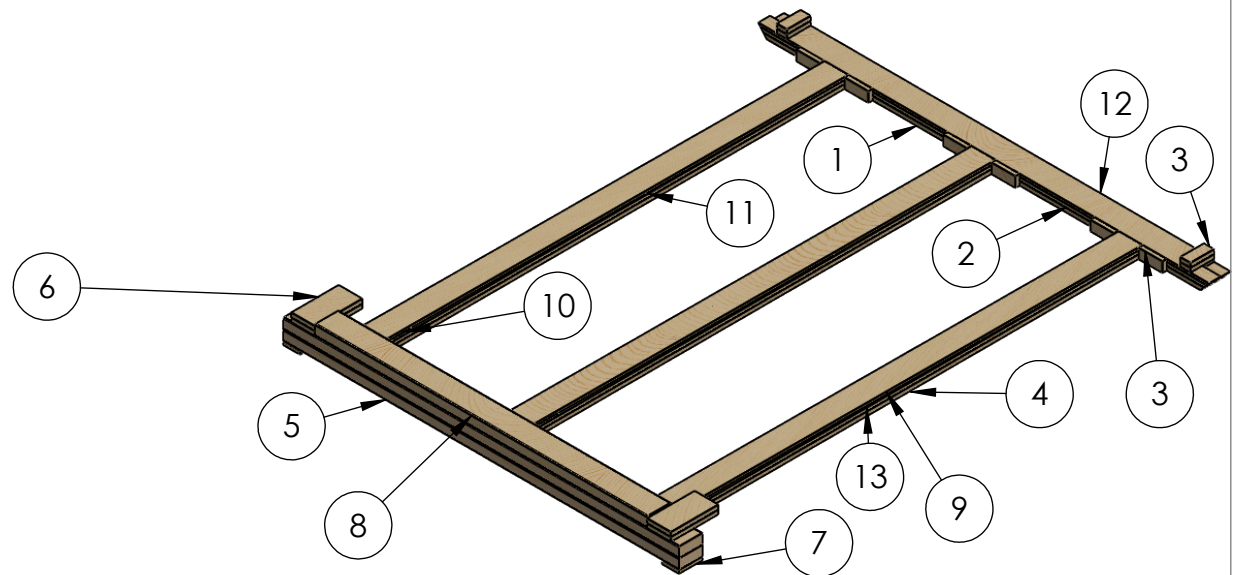


ARTICLE #	Qty	Description	Lenght
1	1	Plywood 5/8" cut at 3 1/2"	65"
2	1	Plywood 1/2" cut at 3 1/2"	65 7/8"
3	16	Plywood 5/8" cut at 3 1/2"	1 1/2"
4	3	Plywood 5/8" cut at 3 1/2"	70 5/8"
5	2	2 x 4	58 3/8"
6	4	Plywood 5/8" cut at 3 1/2"	7"
7	2	Plywood 1/2" cut at 3 1/2"	2 1/2"
8	1	2 x 4	49"
9	3	Plywood 3/8" cut at 3 1/2"	70 5/8"
10	3	Plywood 3/8" cut at 3 1/2"	6"
11	3	Plywood 1/8" cut at 3 1/2"	6"
12	1	Plywood 3/8" cut at 3 1/2"	66 1/2"
13	3	Plywood 1/2" cut at 3 1/2"	70 5/8"

Master 50 Ford F250 - F350 2017 & + 6 1/2'



Description:

MORY inc.

701, rang St-Pierre - St-Anselme, QC - G0R 2N0
1-800-924-9804 - info@moryinc.com

Ownership and Confidentiality

The information contained in this drawing is the property of MORY inc.
All reproduction parts without written permission of MORY Inc. are
criminal offense.

Customer

KS-M50C-F250-2017+_eng

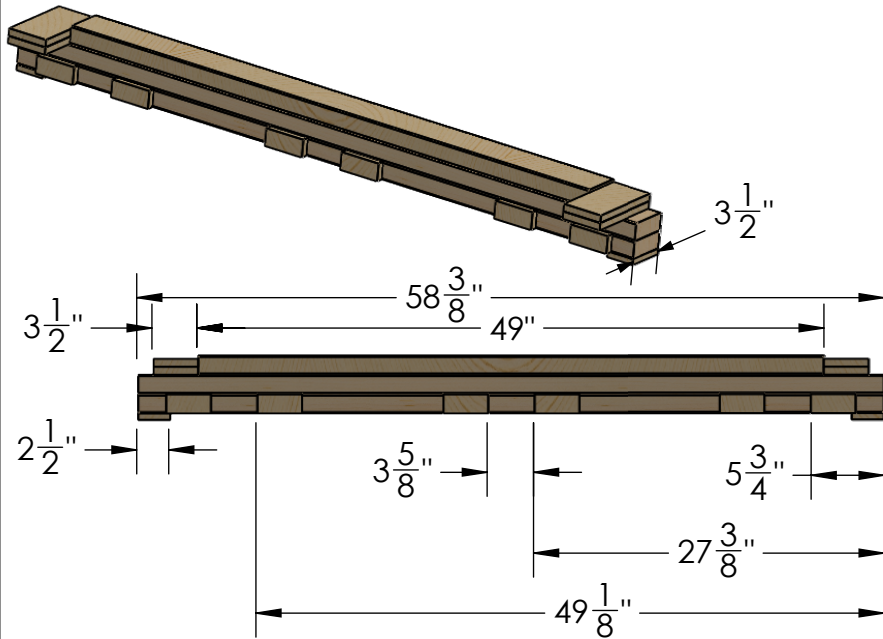
Drawn by: Stéphane Morin

Date: 2018-02-19

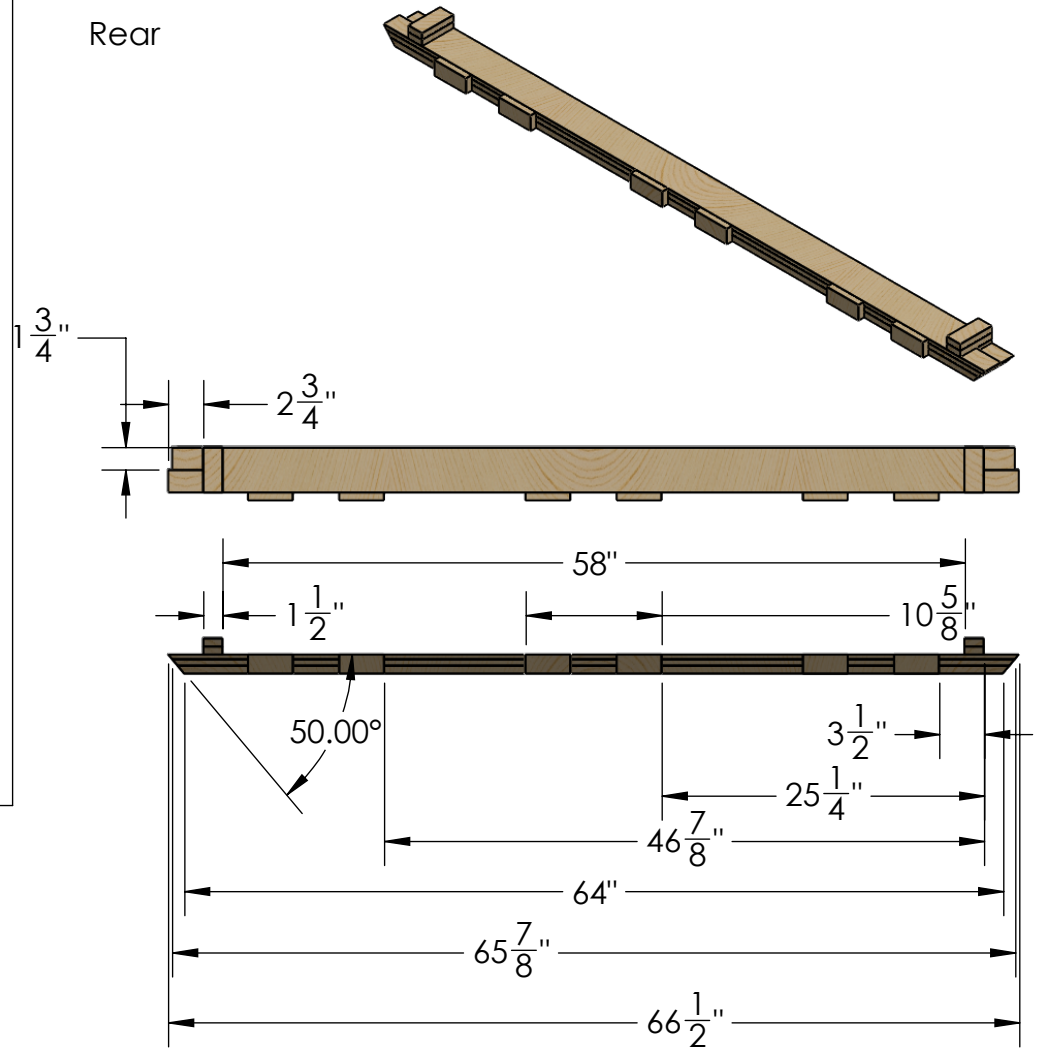
Scale: 1:20

SHEET 1 OF 2

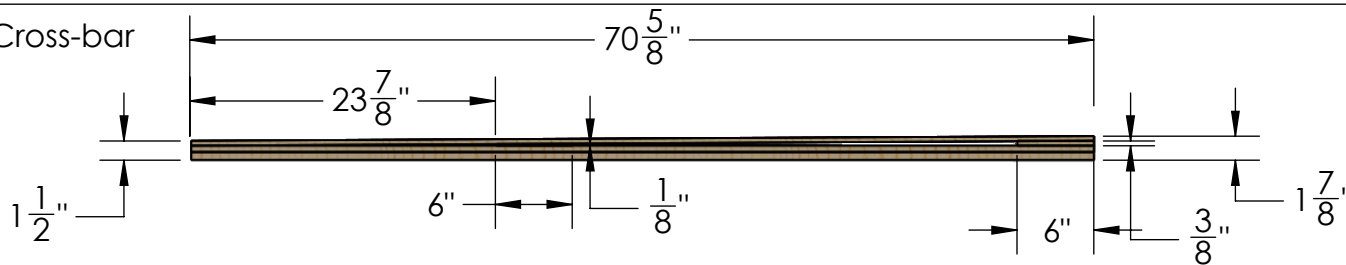
Front



Rear



Cross-bar



Description:

MORY inc.

701, rang St-Pierre - St-Anselme, QC - G0R 2N0
1-800-924-9804 - info@moryinc.com

Ownership and Confidentiality

The information contained in this drawing is the property of MORY inc.
All reproduction parts without written permission of MORY Inc. are
criminal offense.

Customer

KS-M50C-F250-2017+_eng

Drawn by: Stéphane Morin

Date: 2018-02-19

Scale: 1:15

SHEET 2 OF 2