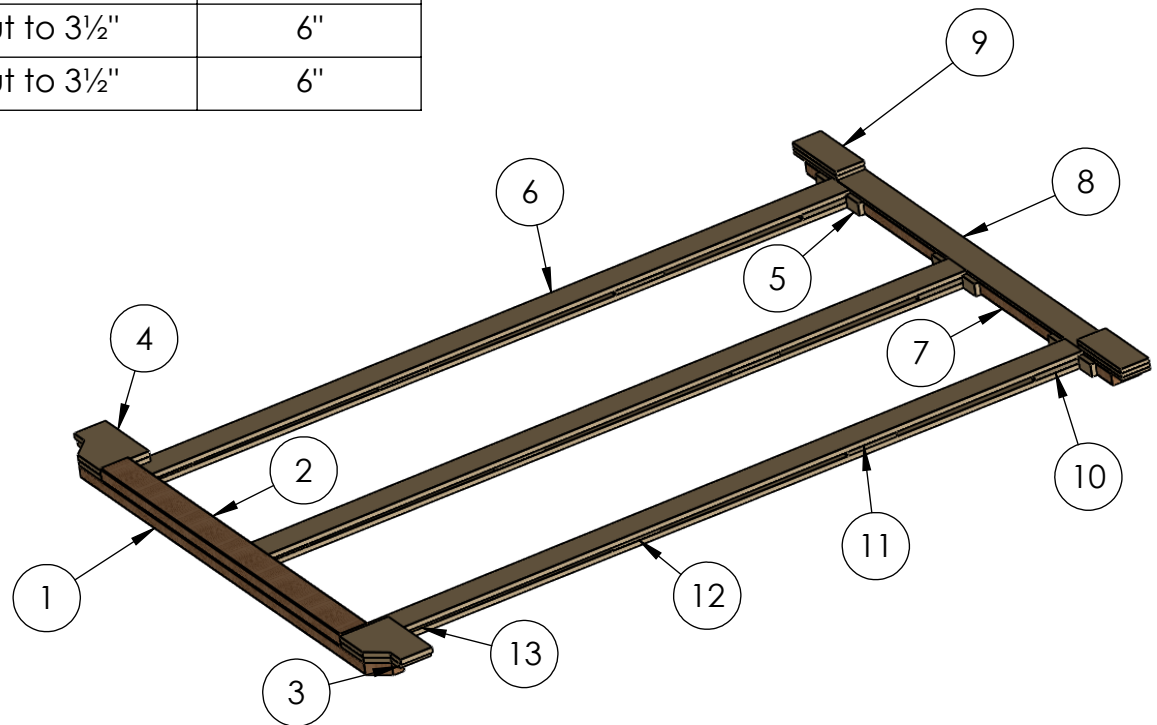


ARTICLE #	QTy	Material	Length
1	1	2 x 4	62"
2	1	2 x 4	48 1/2"
3	2	Plywood 5/8" cut to 6"	8 3/8"
4	2	Plywood 5/8" cut to 6"	8 7/8"
5	12	Plywood 5/8" cut to 2 1/2"	1 1/2"
6	6	Plywood 5/8" cut to 3 1/2"	86 7/8"
7	1	2 x 4	62"
8	1	Plywood 5/8" cut to 3 1/2"	66 1/2"
9	4	Plywood 1/2" cut to 3 1/2"	8 3/4"
10	3	Plywood 5/8" cut to 3 1/2"	6"
11	3	Plywood 1/2" cut to 3 1/2"	6"
12	3	Plywood 3/8" cut to 3 1/2"	6"
13	3	Plywood 1/4" cut to 3 1/2"	6"

Master 60 8' Dodge Ram 2009 & +



Description:

MORY inc.

701, rang St-Pierre - St-Anselme, QC - G0R 2N0
1-800-924-9804 - info@moryinc.com

Ownership and Confidentiality

The information contained in this drawing is the property of MORY inc.
All reproduction parts without written permission of MORY Inc. are
criminal offense.

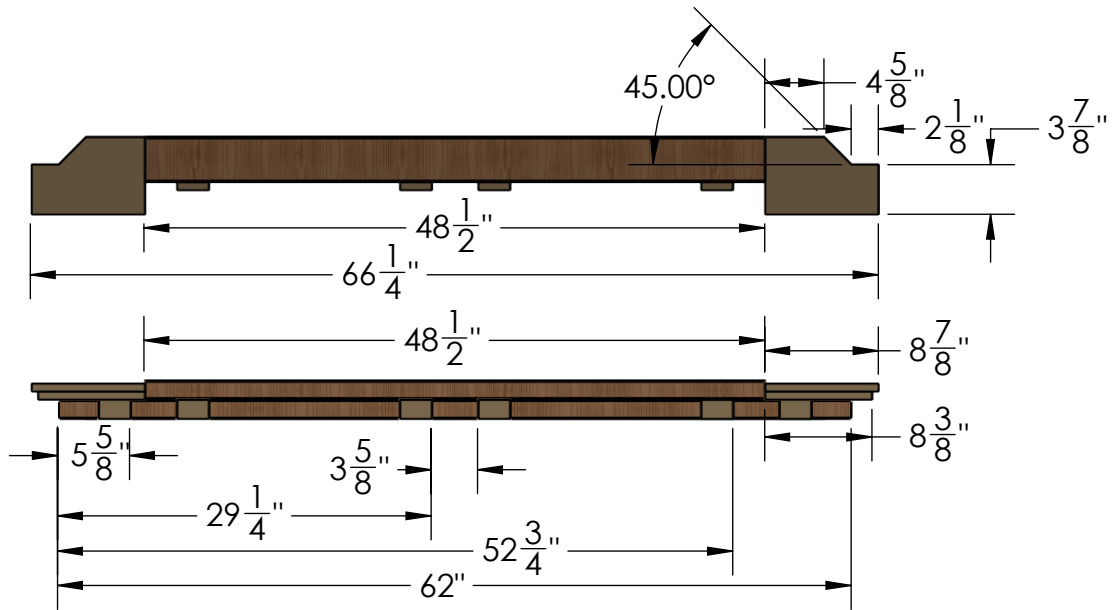
KS-M60L-RAM-2009+_eng

Drawn by: Stéphane Morin

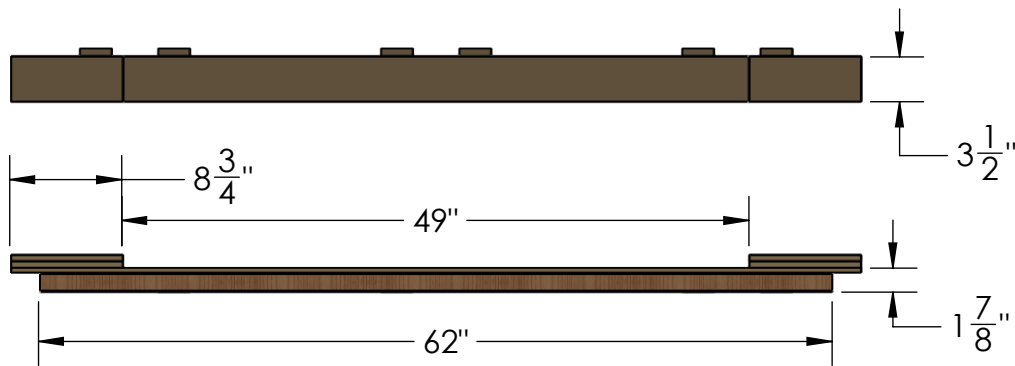
Date: 2018-02-15

Scale: 1:32

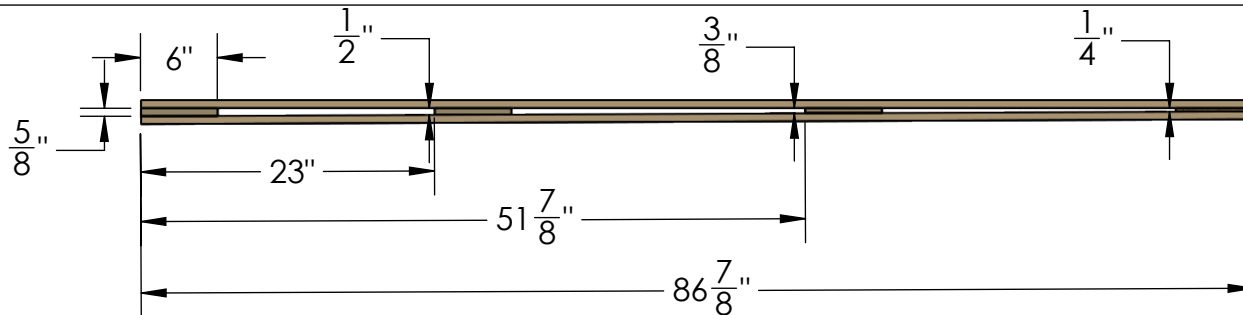
SHEET 1 OF 2



Front



Rear



Cross-bar

Description:

MORY inc.

701, rang St-Pierre - St-Anselme, QC - G0R 2N0
1-800-924-9804 - info@moryinc.com

Ownership and Confidentiality

The information contained in this drawing is the property of MORY inc.
All reproduction parts without written permission of MORY Inc. are
criminal offense.

KS-M60L-RAM-2009+_eng

Drawn by: Stéphane Morin

Date: 2018-02-15

Scale: 1:15

SHEET 2 OF 2