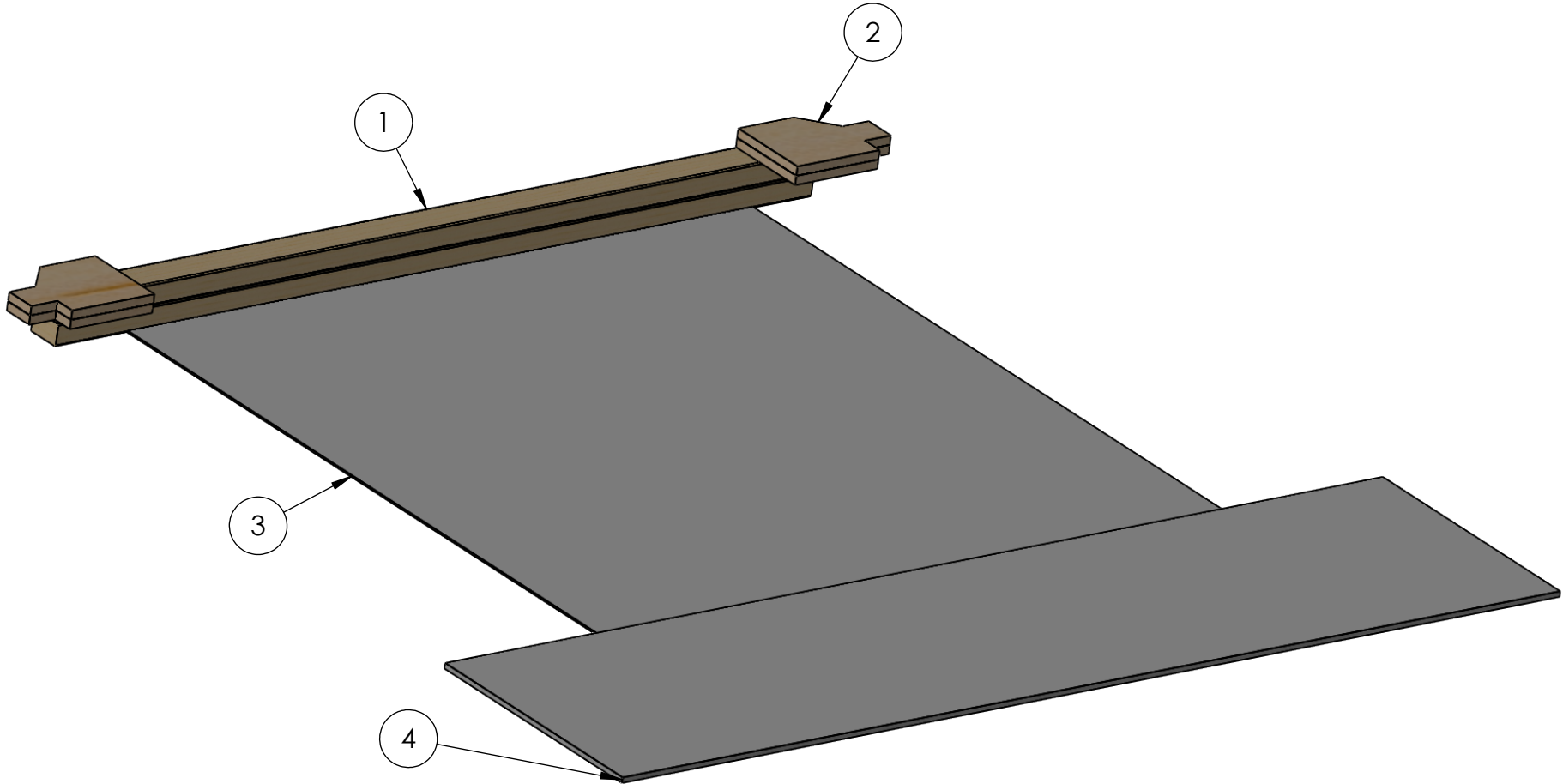


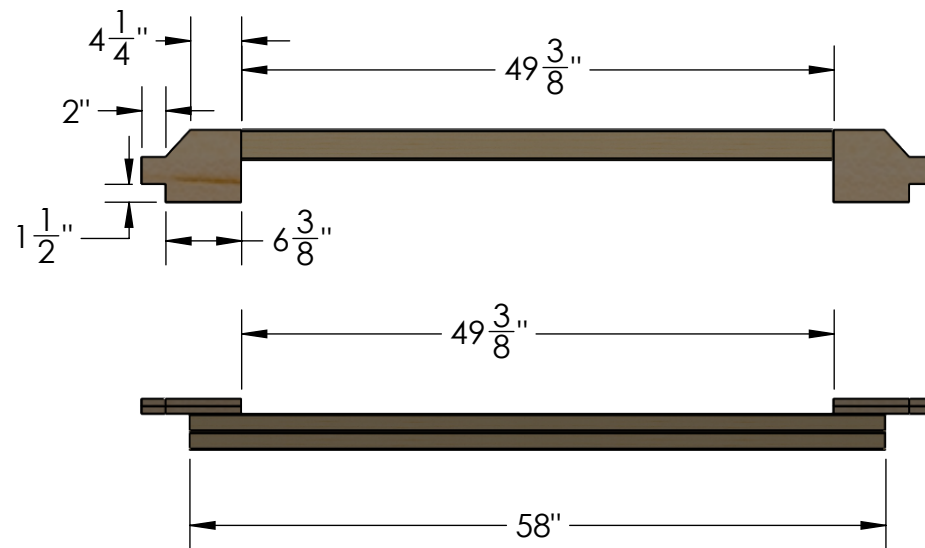
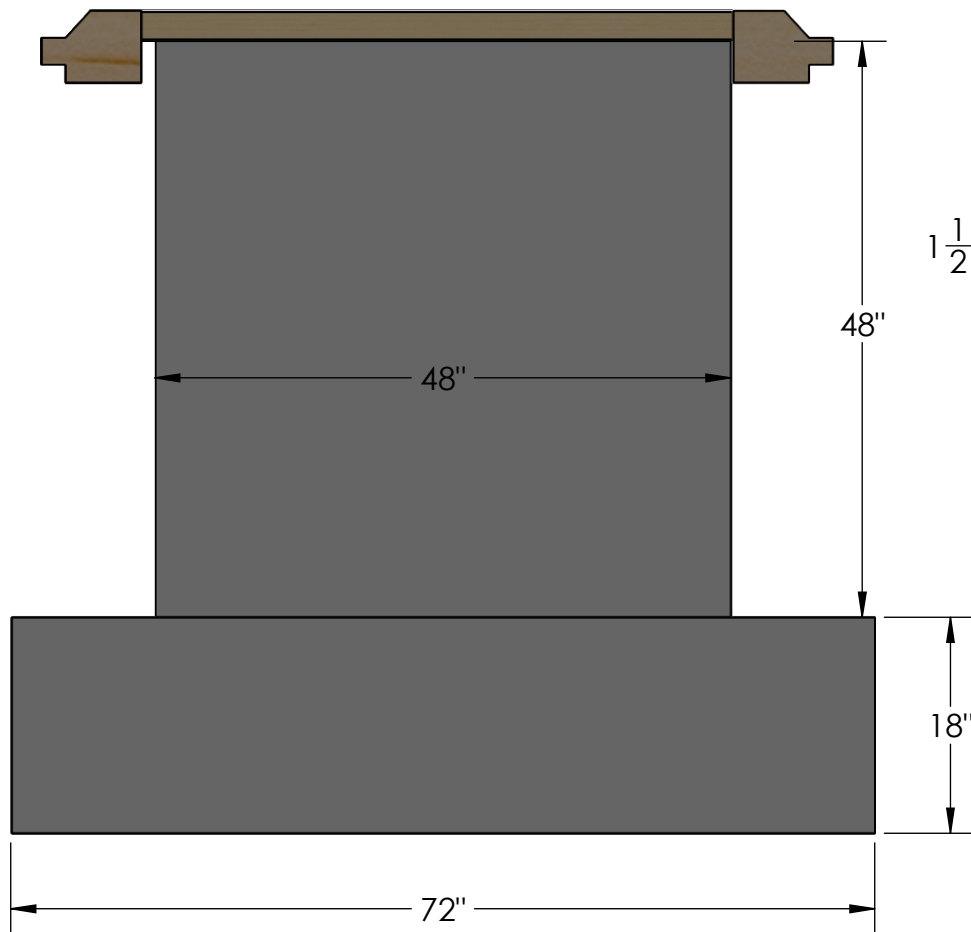
ARTICLE #	Qty	Description	Lenght
1	2	2 x 3	58"
2	4	Plywood 5/8" cut at 6"	8 3/8"
3	1	Rubber mat 1/8" thickness	4' x 4'
4	1	Rubber mat 1/8" thickness	18" x 6'
	4	Rubber mat 3/8" thickness	4" x 7"

**Master 75L - new model**

**Dodge Ram 2009 & +**



Description:				19.30
<b>MORY inc.</b> 701, rang St-Pierre - St-Anselme, QC - G0R 2N0 1-800-924-9804 - info@moryinc.com	<b>Ownership and Confidentiality</b> The information contained in this drawing is the property of MORY inc. All reproduction parts without written permission of MORY Inc. are criminal offense.	Customer	KS-M75L-RAM-2009+_eng	Drawn by: Stéphane Morin
			Matériau <non spécifié>	Date: 2018-02-16
			Scale: 1:16	SHEET 1 OF 2



Put rubber mat 3/8" under stainless plate



**Description:**

**MORY inc.**

701, rang St-Pierre - St-Anselme, QC - G0R 2N0  
1-800-924-9804 - info@moryinc.com

**Ownership and Confidentiality**

The information contained in this drawing is the property of MORY inc.  
All reproduction parts without written permission of MORY Inc. are  
criminal offense.

Customer

KS-M75L-RAM-2009+\_eng

Drawn by: Stéphane Morin

Date: 2018-02-16

Scale: 1:16

SHEET 2 OF 2