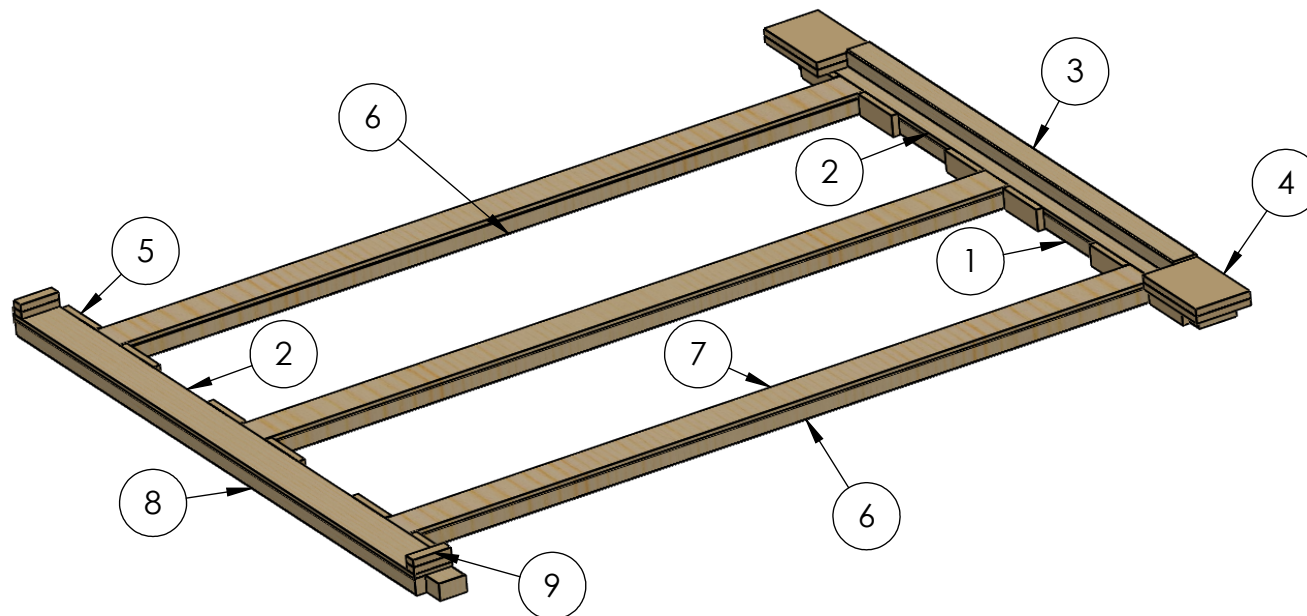


| ARTICLE # | QTY | Description | Lenght |
|-----------|-----|----------------------------|----------|
| 1 | 1 | 2 x 4 | 60" |
| 2 | 2 | Plywood 3/8" cut at 3 1/2" | 60" |
| 3 | 1 | Wood 1 1/2" x 2 1/4" | 49" |
| 4 | 4 | Plywood 5/8" cut at 5" | 7 15/16" |
| 5 | 12 | Plywood 5/8" cut at 5" | 1 7/8" |
| 6 | 3 | 2 x 4 | 68 1/2" |
| 7 | 3 | Plywood 3/8" cut at 3 1/2" | 68 1/2" |
| 8 | 1 | 2 x 4 | 64" |
| 9 | 4 | Plywood 5/8" cut at 3 1/2" | 1 1/16" |

MASTER 50 6 1/2 F-150 2015 & +



Description:

MORY inc.

701, rang St-Pierre - St-Anselme, QC - G0R 2N0
1-800-924-9804 - info@moryinc.com

Ownership and Confidentiality

The information contained in this drawing is the property of MORY inc.
All reproduction parts without written permission of MORY Inc. are
criminal offense.

Customer

KS-M50C-F1502015_eng

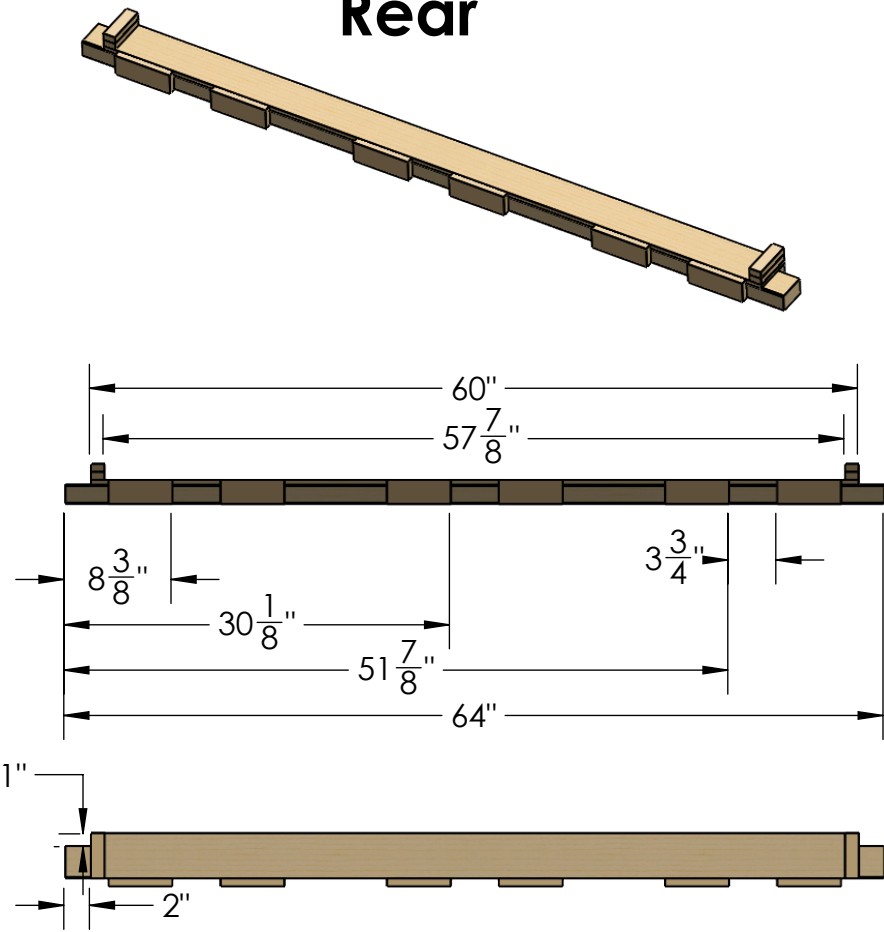
Drawn by: Stéphane Morin

Date: 2021-01-26

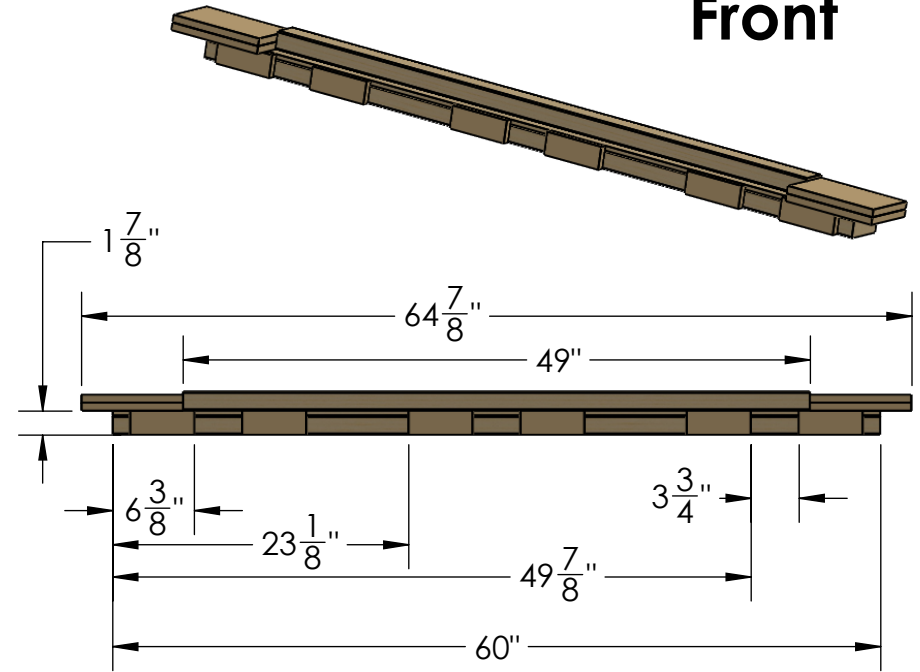
Scale: 1:24

SHEET 1 OF 2

Rear



Front



Description:

MORY inc.

701, rang St-Pierre - St-Anselme, QC - G0R 2N0
1-800-924-9804 - info@moryinc.com

Ownership and Confidentiality

The information contained in this drawing is the property of MORY inc. All reproduction parts without written permission of MORY Inc. are criminal offense.

Customer

KS-M50C-F1502015_eng

Drawn by: Stéphane Morin

Date: 2021-01-26

Scale: 1:24

SHEET 2 OF 2