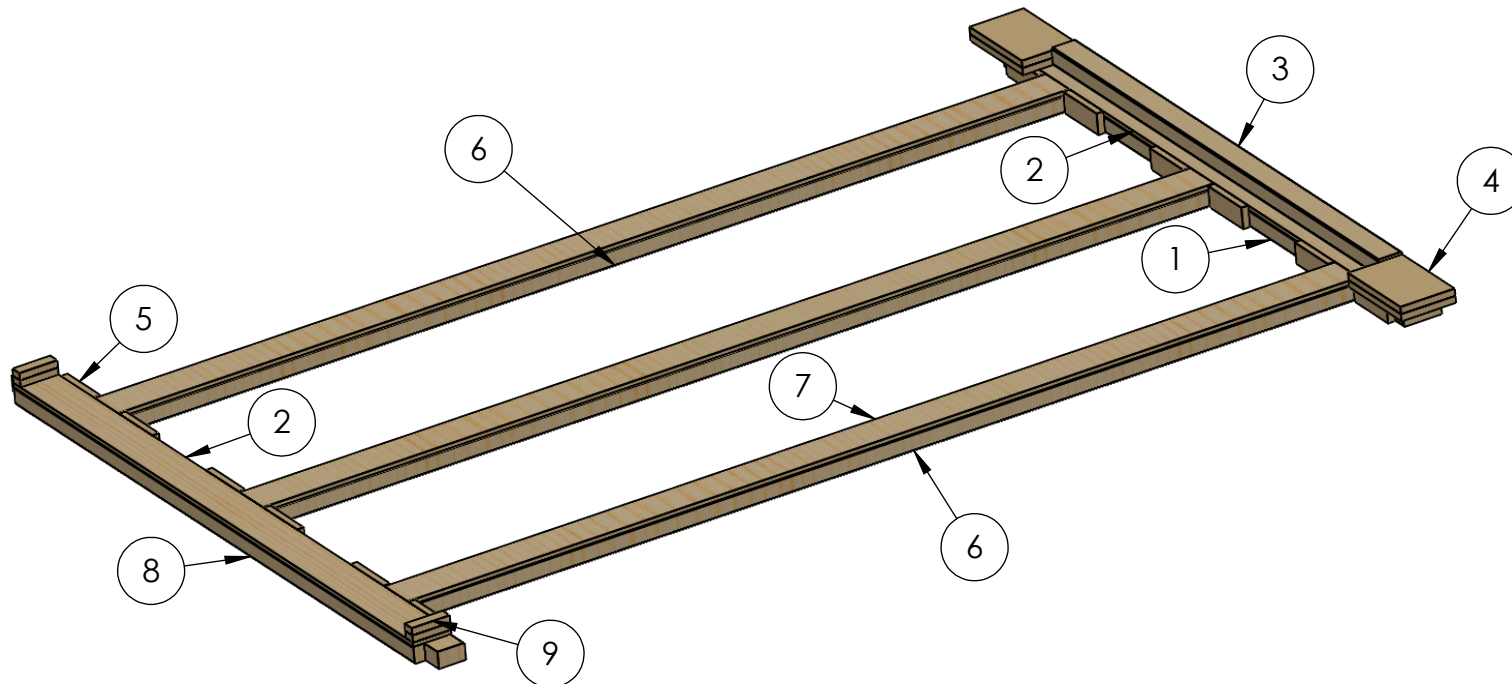


MASTER 50 8' F-150 2015 & +

ARTICLE #	QTY	Description	Lenght
1	1	2 x 4	60"
2	2	Plywood 3/8" cut at 3 1/2"	60"
3	1	Wood 1 1/2" x 2 1/4"	49"
4	4	Plywood 5/8" cut at 5"	7 7/8"
5	12	Plywood 5/8" cut at 5"	1 7/8"
6	3	2 x 4	87 1/2"
7	3	Plywood 3/8" cut at 3 1/2"	87 1/2"
8	1	2 x 4	64"
9	4	Plywood 5/8" cut at 3 1/2"	1 1/16"



Description:

MORY inc.

701, rang St-Pierre - St-Anselme, QC - G0R 2N0
1-800-924-9804 - info@moryinc.com

Ownership and Confidentiality

The information contained in this drawing is the property of MORY inc.
All reproduction parts without written permission of MORY Inc. are
criminal offense.

Customer

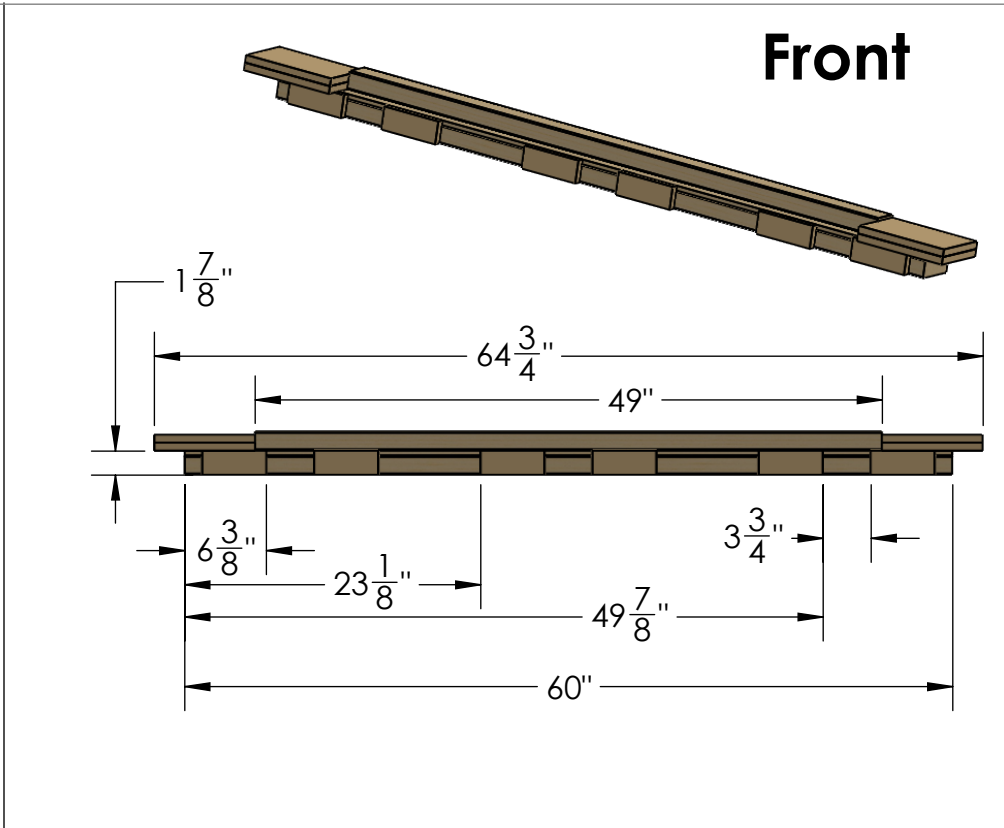
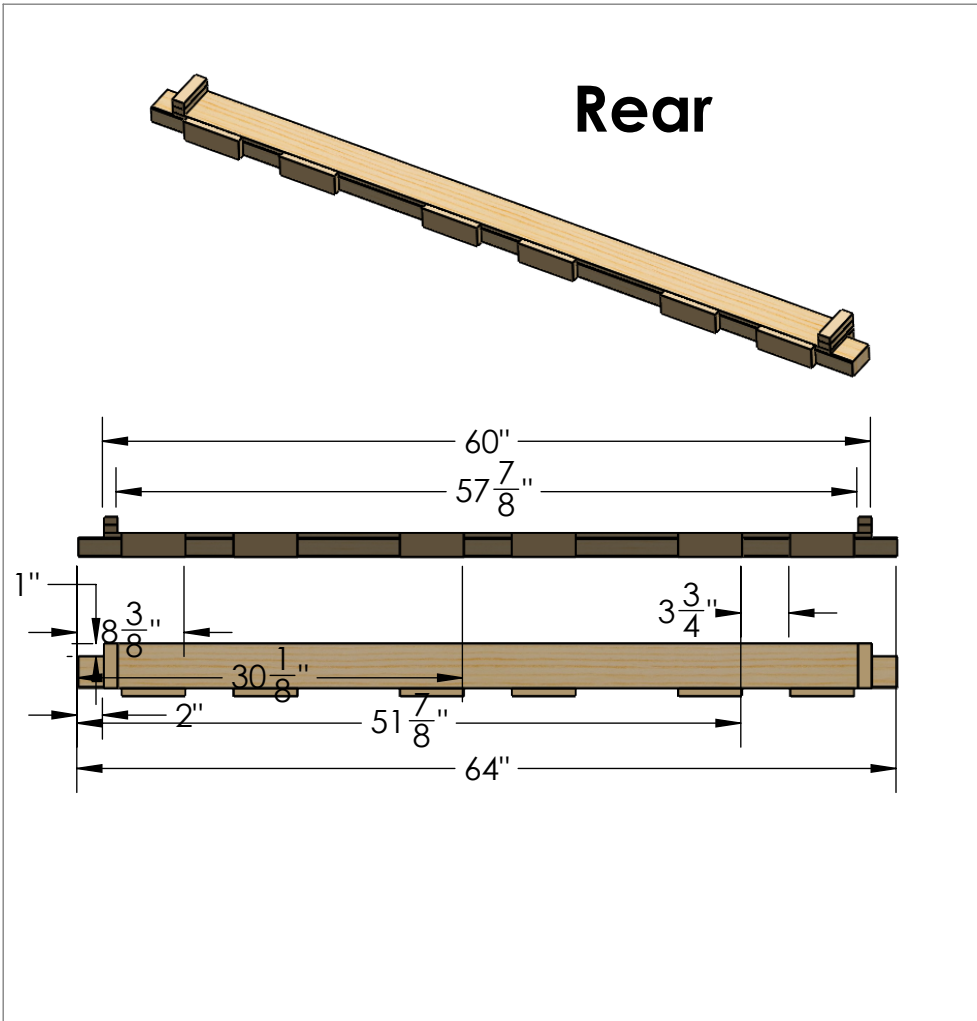
KS-M50L-F1502015_eng

Drawn by: Stéphane Morin

Date: 2021-01-26

Scale: 1:24

SHEET 1 OF 2



Description:

MORY inc.

701, rang St-Pierre - St-Anselme, QC - G0R 2N0
1-800-924-9804 - info@moryinc.com

Ownership and Confidentiality

The information contained in this drawing is the property of MORY inc.
All reproduction parts without written permission of MORY Inc. are
criminal offense.

Customer	KS-M50L-F1502015_eng	Drawn by:	Stéphane Morin
		Date:	2021-01-26
		Scale:	1:24
			SHEET 2 OF 2