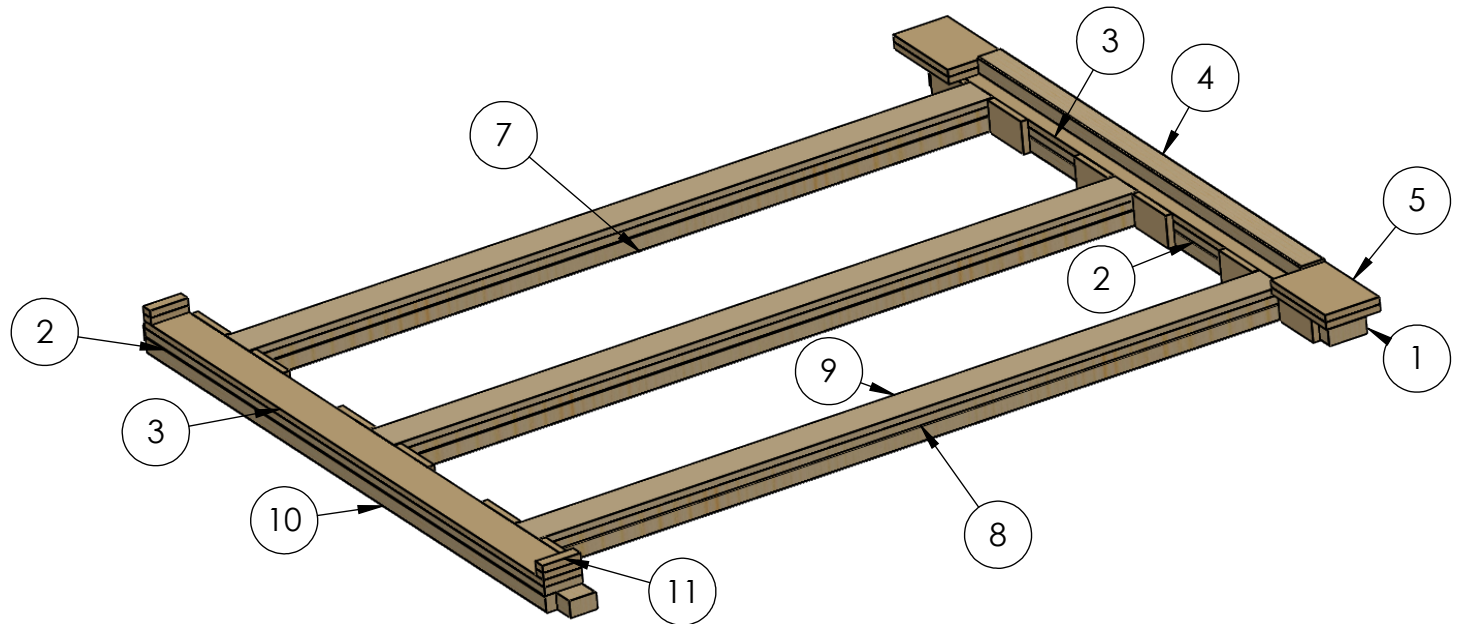


# MASTER 60 & 75 short bed F-150 2015 & +

ARTICLE #	QTY	Description	Lenght
1	1	2 x 4	60"
2	2	wood 3/4" x 3 1/2"	60"
3	2	Plywood 5/8" cut at 3 1/2"	60"
4	1	wood 1 1/2" x 2 1/4"	48 1/2"
5	4	Plywood 5/8" cut at 5"	8 3/16"
6	12	Plywood 5/8" cut at 5"	2 7/8"
7	3	2 x 4	68 1/2"
8	3	wood 3/4" x 3 1/2"	68 1/2"
9	3	Plywood 5/8" cut at 3 1/2"	68 1/2"
10	1	2 x 4	64"
11	4	Plywood 5/8" cut at 3 1/2"	1 1/16"



## Description:

**MORY inc.**

701, rang St-Pierre - St-Anselme, QC - G0R 2N0  
1-800-924-9804 - info@moryinc.com

### Ownership and Confidentiality

The information contained in this drawing is the property of MORY inc.  
All reproduction parts without written permission of MORY Inc. are  
criminal offense.

Customer

KS-M60C-F1502015\_eng

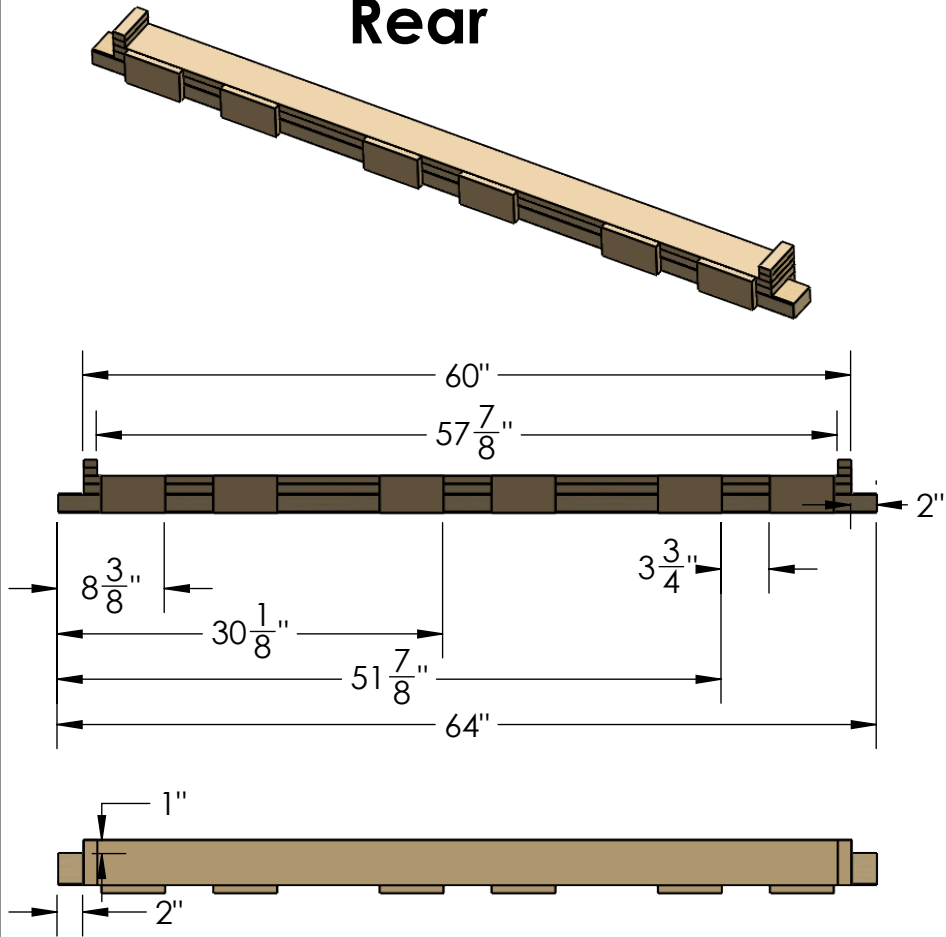
Drawn by: Stéphane Morin

Date: 2021-01-26

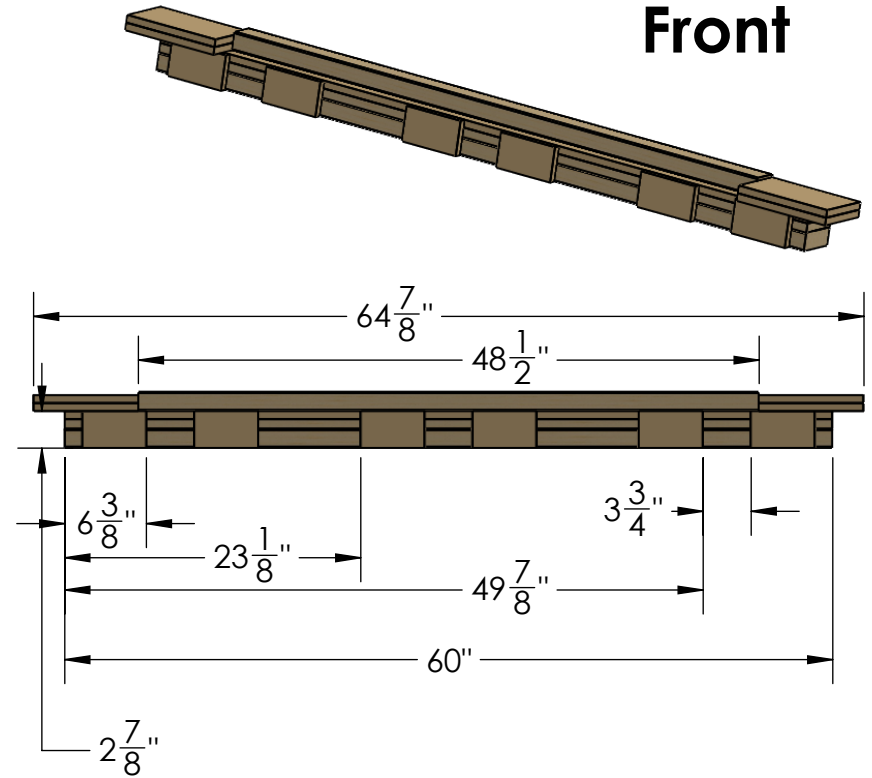
Scale: 1:24

SHEET 1 OF 2

# Rear



# Front



## Description:

**MORY inc.**

701, rang St-Pierre - St-Anselme, QC - G0R 2N0  
1-800-924-9804 - info@moryinc.com

### Ownership and Confidentiality

The information contained in this drawing is the property of MORY inc.  
All reproduction parts without written permission of MORY Inc. are  
criminal offense.

Customer

KS-M60C-F1502015\_eng

Drawn by: Stéphane Morin

Date: 2021-01-26

Scale: 1:24

SHEET 2 OF 2