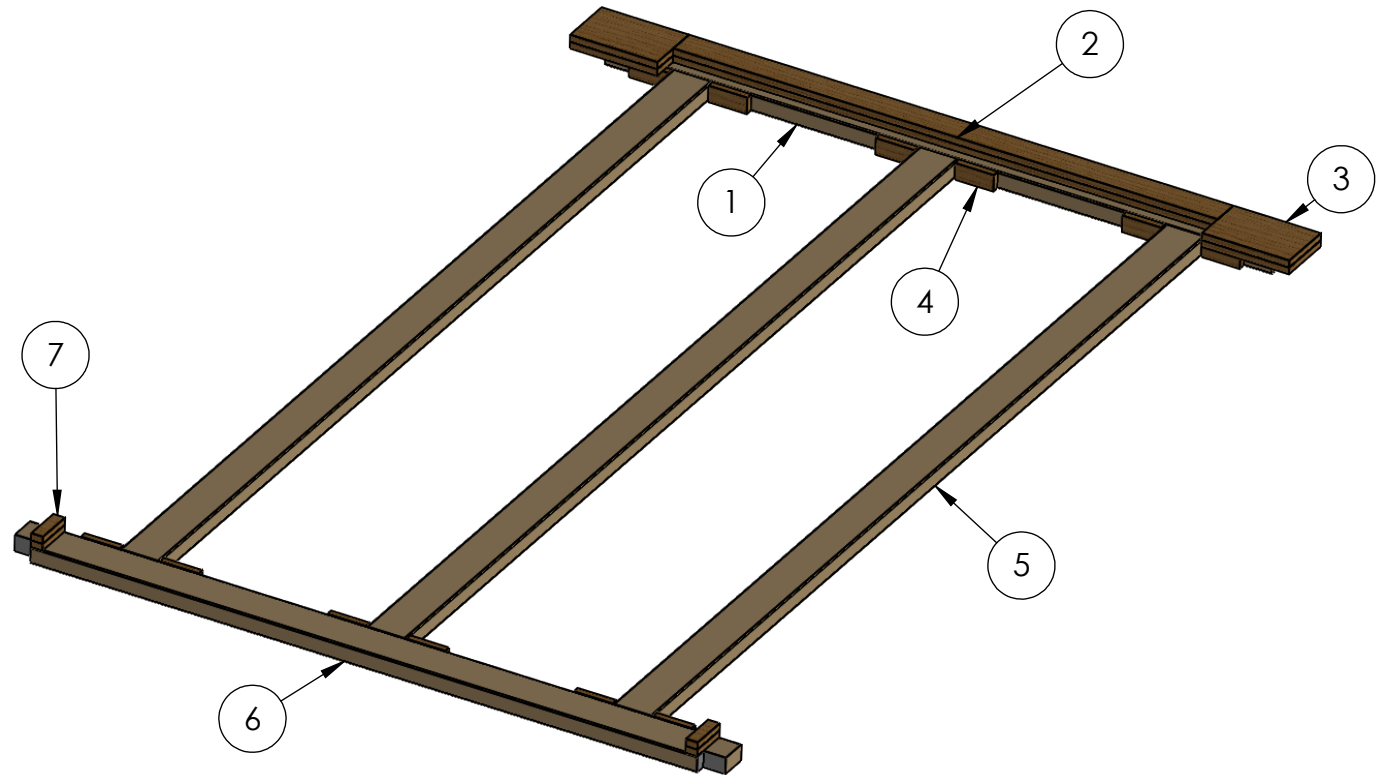


ARTICLE #	QTY	Description	Lenght
1	1	2 x 4	60"
2	2	Plywood 5/8" cut at 2½"	49"
3	4	Plywood 5/8" cut at 5"	7 7/8"
4	12	Plywood 5/8" cut at 3½"	1 1/2"
5	3	2 x 4	87 3/8"
6	1	2 x 4	64"
7	4	Plywood 5/8" cut at 3½"	1 1/8"

Master 75 8' New F-150 2015 & + Long bed 8'



Description:

MORY inc.

701, rang St-Pierre - St-Anselme, QC - G0R 2N0
1-800-924-9804 - info@moryinc.com

Ownership and Confidentiality

The information contained in this drawing is the property of MORY inc.
All reproduction parts without written permission of MORY Inc. are
criminal offense.

Customer

KS-M75LN-F1502015_eng

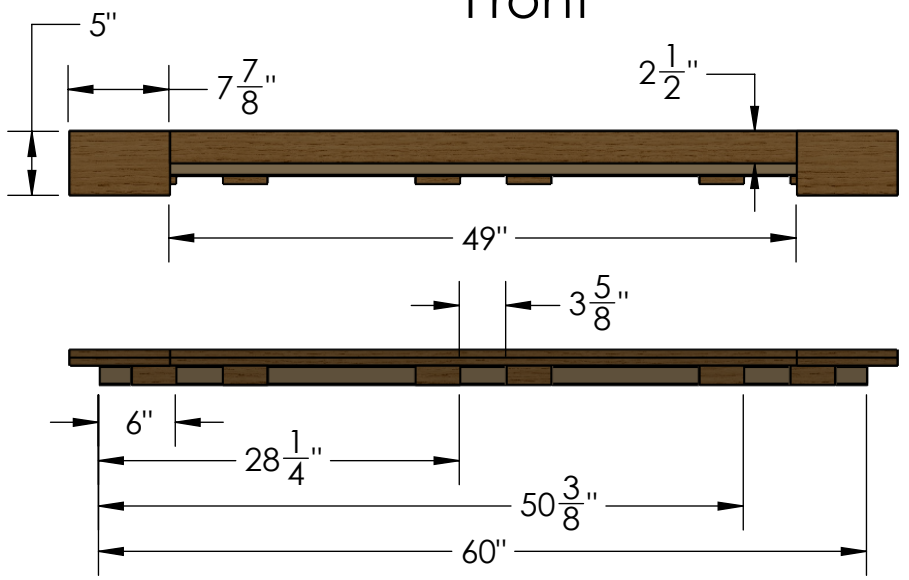
Drawn by: Stéphane Morin

Date: 2021-01-26

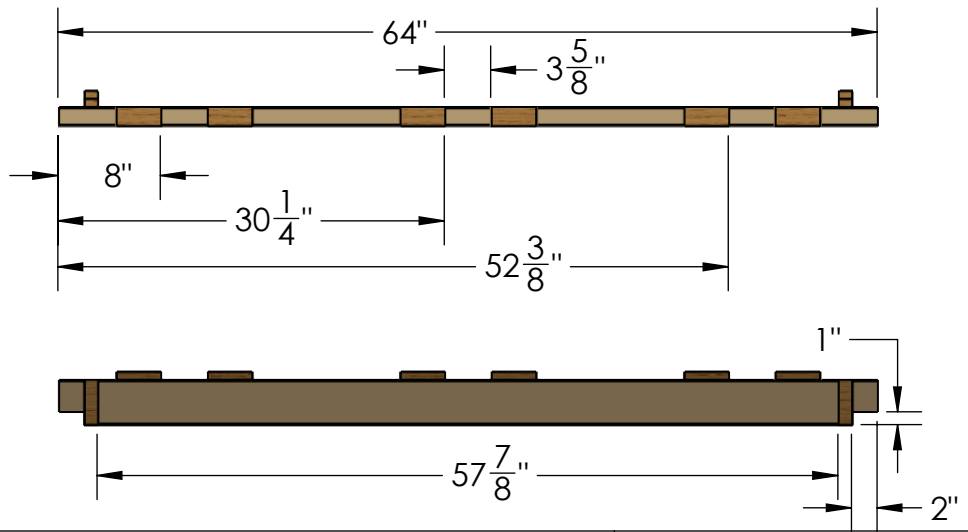
Scale: 1:15

SHEET 1 OF 2

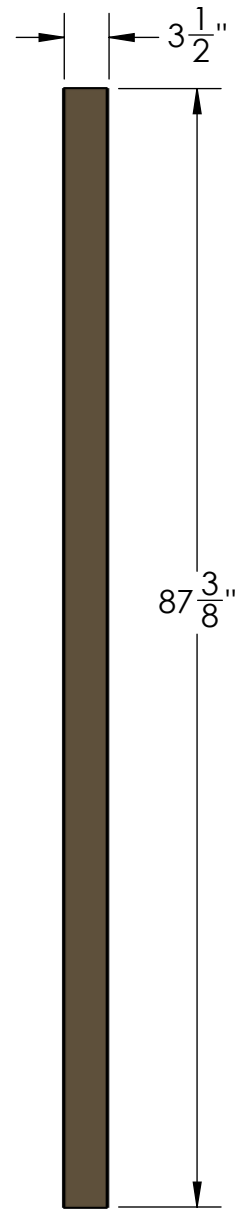
Front



Rear



Cross-bar



Description:

MORY inc.
 701, rang St-Pierre - St-Anselme, QC - G0R 2N0
 1-800-924-9804 - info@moryinc.com

Ownership and Confidentiality
 The information contained in this drawing is the property of MORY inc.
 All reproduction parts without written permission of MORY Inc. are
 criminal offense.

Customer	KS-M75LN-F1502015_eng	Drawn by:	Stéphane Morin
		Date:	2021-01-26
		Scale:	1:15
			SHEET 2 OF 2