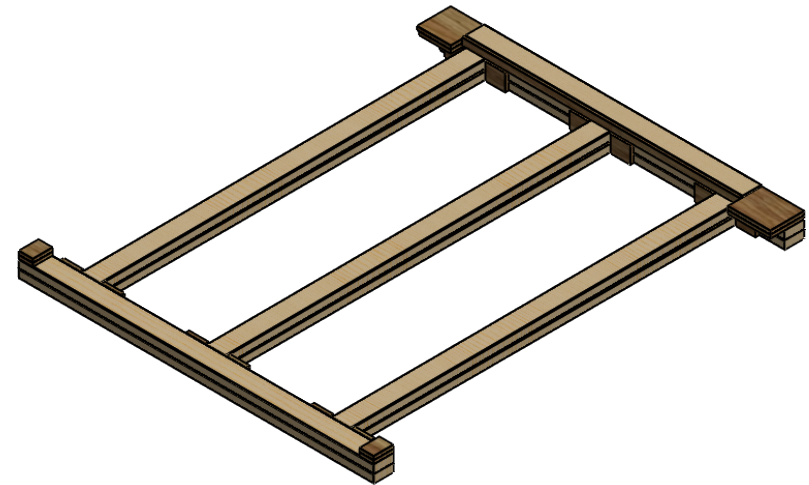


Item #	Qty	Description	Lenght
1	2	2X4	61"
2	1	2X4	49"
3	1	Plywood 5/8" cut at 6"	5 5/8"
4	1	Plywood 1/2" cut at 4"	49"
5	12	Plywood 5/8" cut at 3½"	3"
6	2	Plywood 5/8" cut at 6"	7 1/2"
7	1	Plywood 5/8" cut at 6"	6"
8	3	Plywood 1/4" cut at 3½"	6"
9	3	Plywood 1/8" cut at 3½"	6"
10	6	2X4	68 1/2"
11	2	2X4	62 3/4"
12	4	Plywood 5/8" cut at 3½"	2 1/2"

GM 1500 2019 & + Short bed Shim Kit for Master 50 6½



Description: GM 1500 2019 & + Short bed Shim Kit for Master 50 6½

MORY inc.

701, rang St-Pierre - St-Anselme, QC - G0R 2N0
1-800-924-9804 - info@moryinc.com

Ownership and Confidentiality

The information contained in this drawing is the property of MORY inc.
All reproduction parts without written permission of MORY Inc. are
criminal offense.

Drawing name

M50C-SHGM-1500-19+_eng

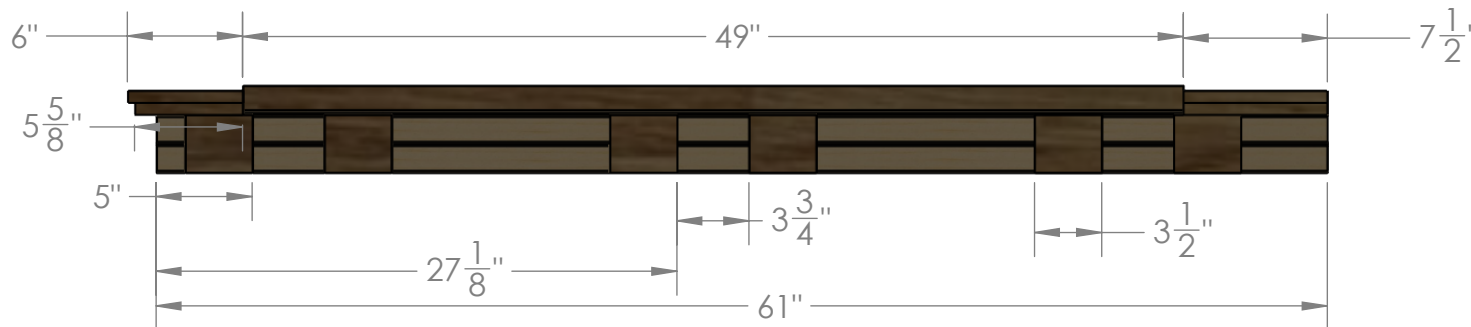
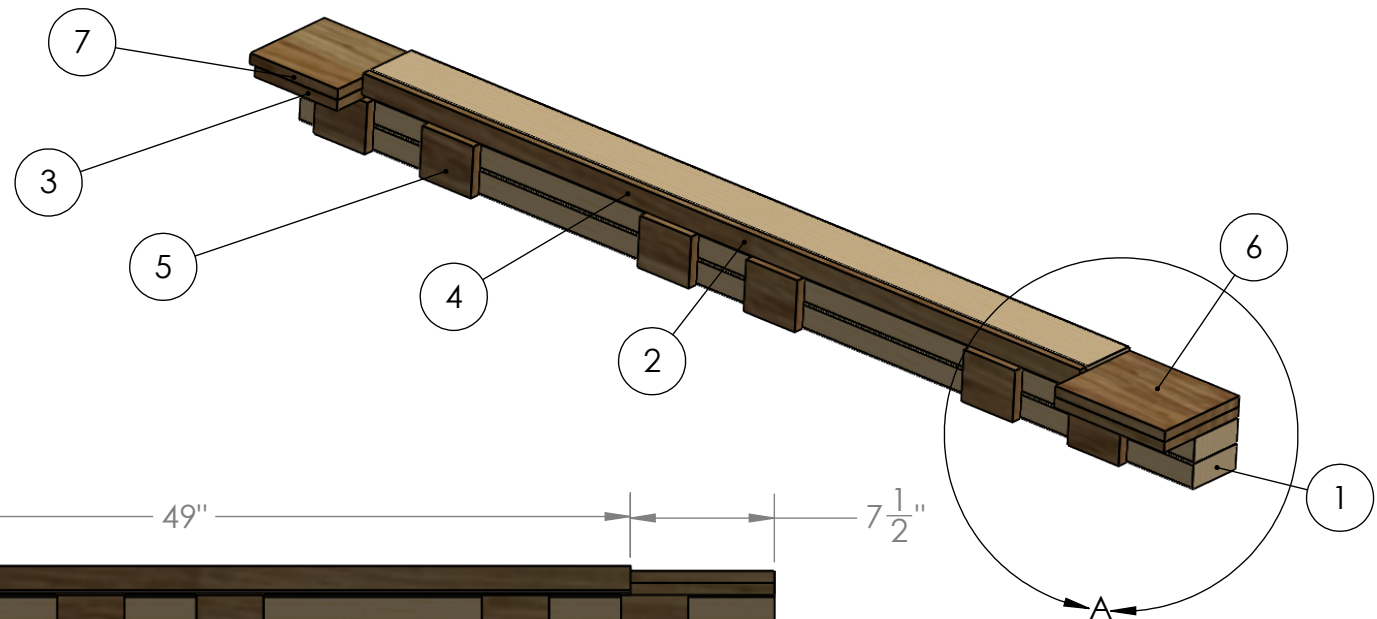
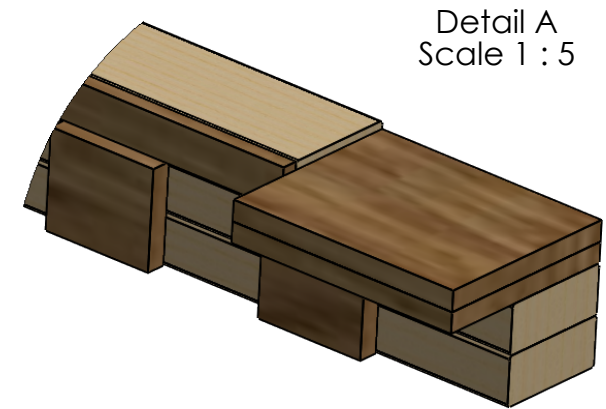
Drawn by: Stéphane Morin

Date: 2021-01-12

Scale: 1:24

SHEET 1 OF 4

Item #	QTY	Description	Length
1	2	2X4	61"
2	1	2X4	49"
3	1	Plywood 5/8" cut at 6"	5 5/8"
4	1	Plywood 1/2" cut at 1 1/4"	49"
5	6	Plywood 5/8" cut at 3 1/2"	3"
6	2	Plywood 5/8" cut at 6"	7 1/2"
7	1	Plywood 5/8" cut at 6"	6"



Description: GM 1500 2019 & + Short bed Shim Kit for Master 50 6 1/2

MORY inc.

701, rang St-Pierre - St-Anselme, QC - G0R 2N0
1-800-924-9804 - info@moryinc.com

Ownership and Confidentiality

The information contained in this drawing is the property of MORY inc.
All reproduction parts without written permission of MORY Inc. are
criminal offense.

Drawing name

M50C-SHGM-1500-19+_eng

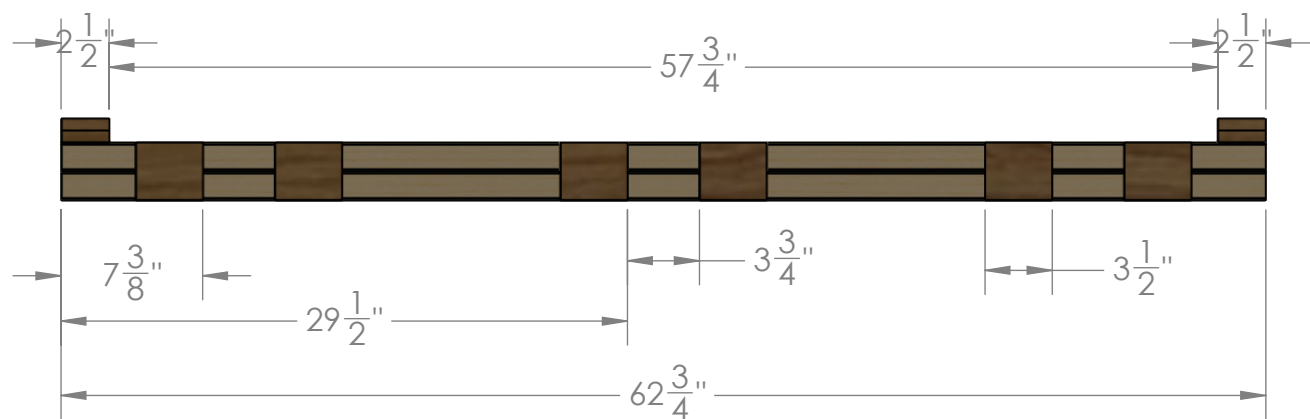
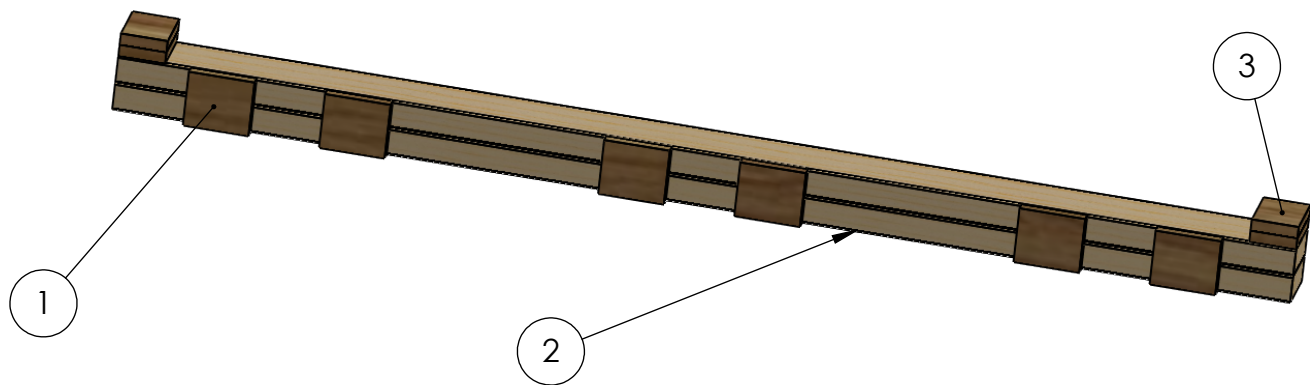
Drawn by: Stéphane Morin

Date: 2021-01-12

Scale: 1:10

SHEET 2 OF 4

Item #	Qty	Description	Lenght
1	6	Plywood 5/8" cut at 3 1/2"	3"
2	2	2x4	62 3/4"
3	4	Plywood 5/8" cut at 3 1/2"	2 1/2"



Description: GM 1500 2019 & + Short bed Shim Kit for Master 50 6 1/2

MORY inc.

701, rang St-Pierre - St-Anselme, QC - G0R 2N0
1-800-924-9804 - info@moryinc.com

Ownership and Confidentiality

The information contained in this drawing is the property of MORY inc.
All reproduction parts without written permission of MORY Inc. are
criminal offense.

Drawing name

M50C-SHGM-1500-19+_eng

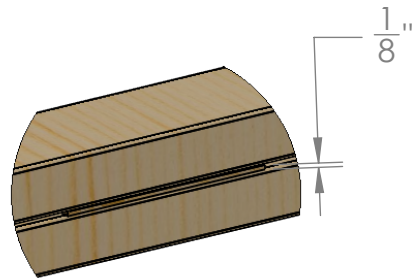
Drawn by: Stéphane Morin

Date: 2021-01-12

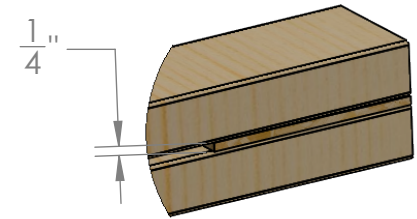
Scale: 1:10

SHEET 3 OF 4

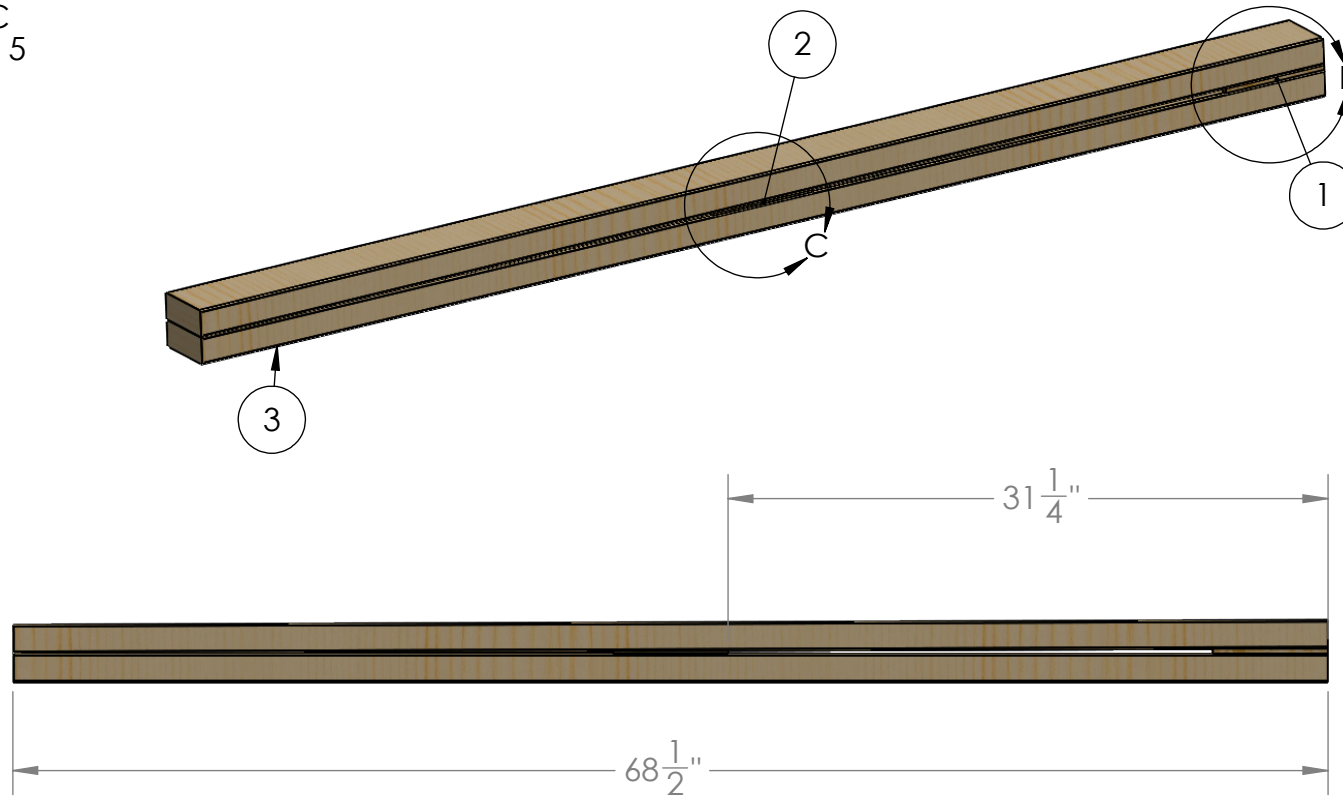
Item #	Qty	DESCRIPTION	Description	Lenght
1	1	Aspenêtre 1/4" d'épaisseur déligner à 3 1/2"	Plywood 1/4" cut at 3 1/2"	6"
2	1	Préfini 1/8" d'épaisseur déligner à 3 1/2"	Plywood 1/8" cut at 3 1/2"	6"
3	2	2x4	2x4	68 1/2"



Detail C
Scale 1 : 5



Detail B
Scale 1 : 5



Description: GM 1500 2019 & + Short bed Shim Kit for Master 50 6 1/2

MORY inc.

701, rang St-Pierre - St-Anselme, QC - G0R 2N0
1-800-924-9804 - info@moryinc.com

Ownership and Confidentiality

The information contained in this drawing is the property of MORY inc.
All reproduction parts without written permission of MORY Inc. are
criminal offense.

Drawing name

M50C-SHGM-1500-19+_eng

Drawn by: Stéphane Morin

Date: 2021-01-12

Scale: 1:10

SHEET 4 OF 4