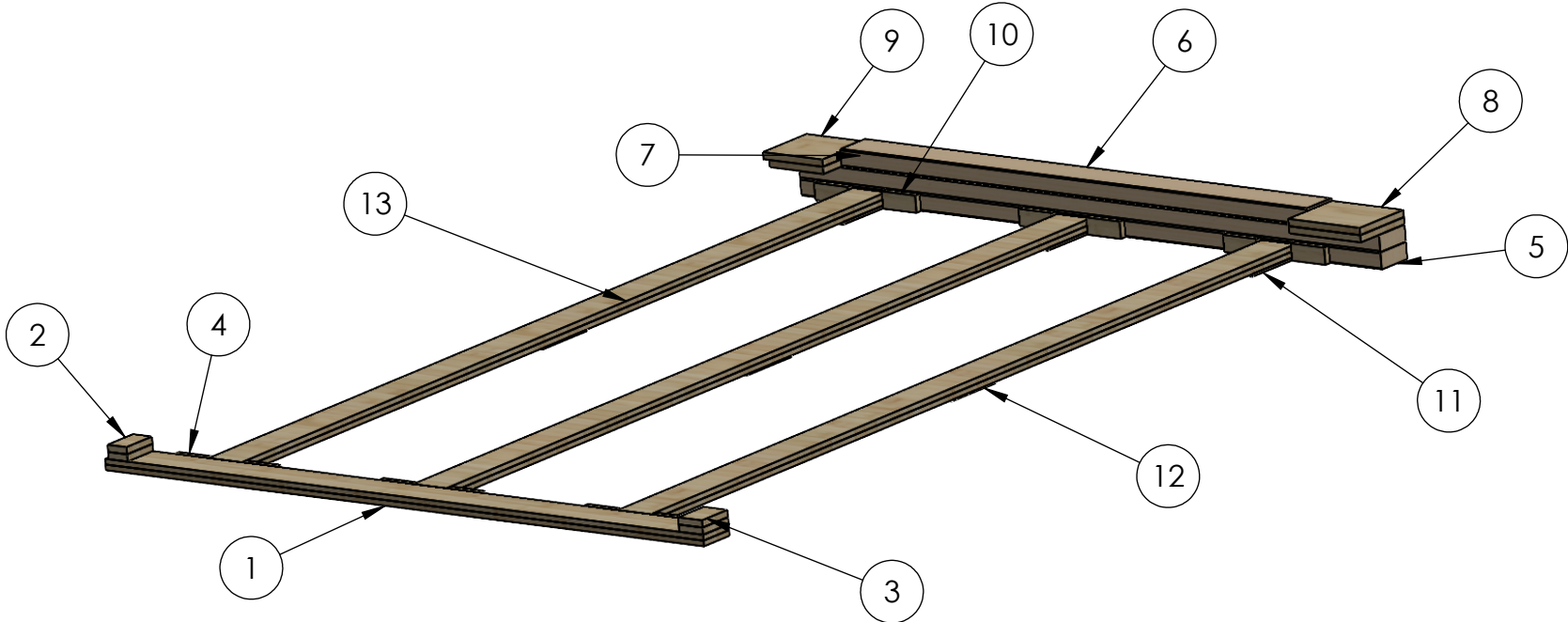


# Master 75L GMC 2500 8' 2500 2020 & +

# Item	QTY	description	Lenght
1	2	1/2" plywood cut to 3 1/2" width	62 7/8"
2	2	5/8" plywood cut to 3 1/2" width	2"
3	2	5/8" plywood cut to 3 1/2" width	2 1/2"
4	6	5/8" plywood cut to 3 1/2" width	1"
5	2	2 X 4	61"
6	1	2 X 4	49"
7	1	5/8" plywood cut to 6" width	5 5/8"
8	2	5/8" plywood cut to 6" width	7 1/2"
9	1	5/8" plywood cut to 6" width	6 1/4"
10	6	5/8" plywood cut to 3 1/2" width	1 1/2"
11	3	1/4" plywood cut to 3 1/2" width	6"
12	3	1/8" plywood cut to 3 1/2" width	6"
13	6	1/2" plywood cut to 3 1/2" width	88 1/2"



Description: Shim kit for Master 75 long GMC 2500 HD 2020 & +

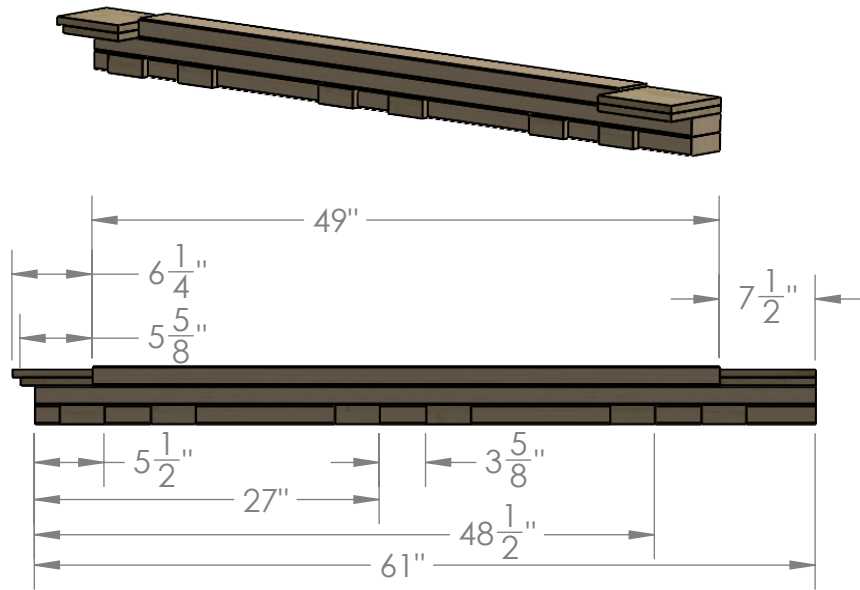
**MORY inc.**  
701, rang St-Pierre - St-Anselme, QC - G0R 2N0  
1-800-924-9804 - info@moryinc.com

**Ownership and Confidentiality**  
The information contained in this drawing is the property of MORY inc.  
All reproduction parts without written permission of MORY Inc. are  
criminal offense.

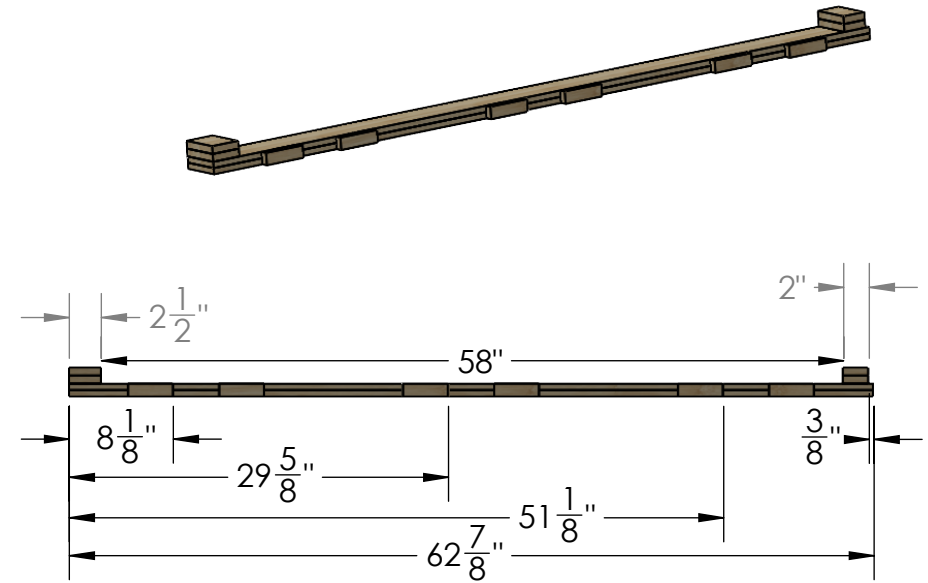
Customer: M75L-SHGM-2500-20+\_eng

Drawn by: Stéphane Morin  
Date: 2020-08-04  
Scale: 1:15  
SHEET 1 OF 2

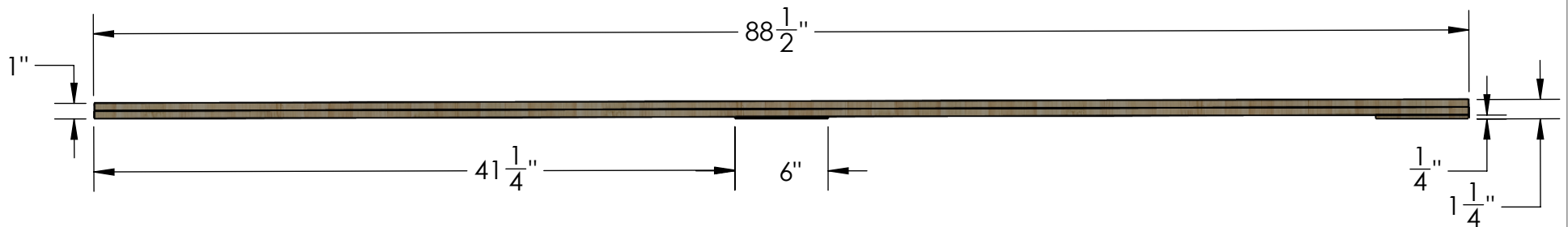
# Front



# Rear



# Crossbar



Description: Shim kit for Master 75 long GMC 2500 HD 2020 & +

**MORY inc.**

701, rang St-Pierre - St-Anselme, QC - G0R 2N0  
1-800-924-9804 - info@moryinc.com

**Ownership and Confidentiality**

The information contained in this drawing is the property of MORY inc.  
All reproduction parts without written permission of MORY Inc. are  
criminal offense.

**Customer**

M75L-SHGM-2500-20+\_eng

Drawn by: Stéphane Morin

Date: 2020-08-04

Scale: 1:15

SHEET 2 OF 2