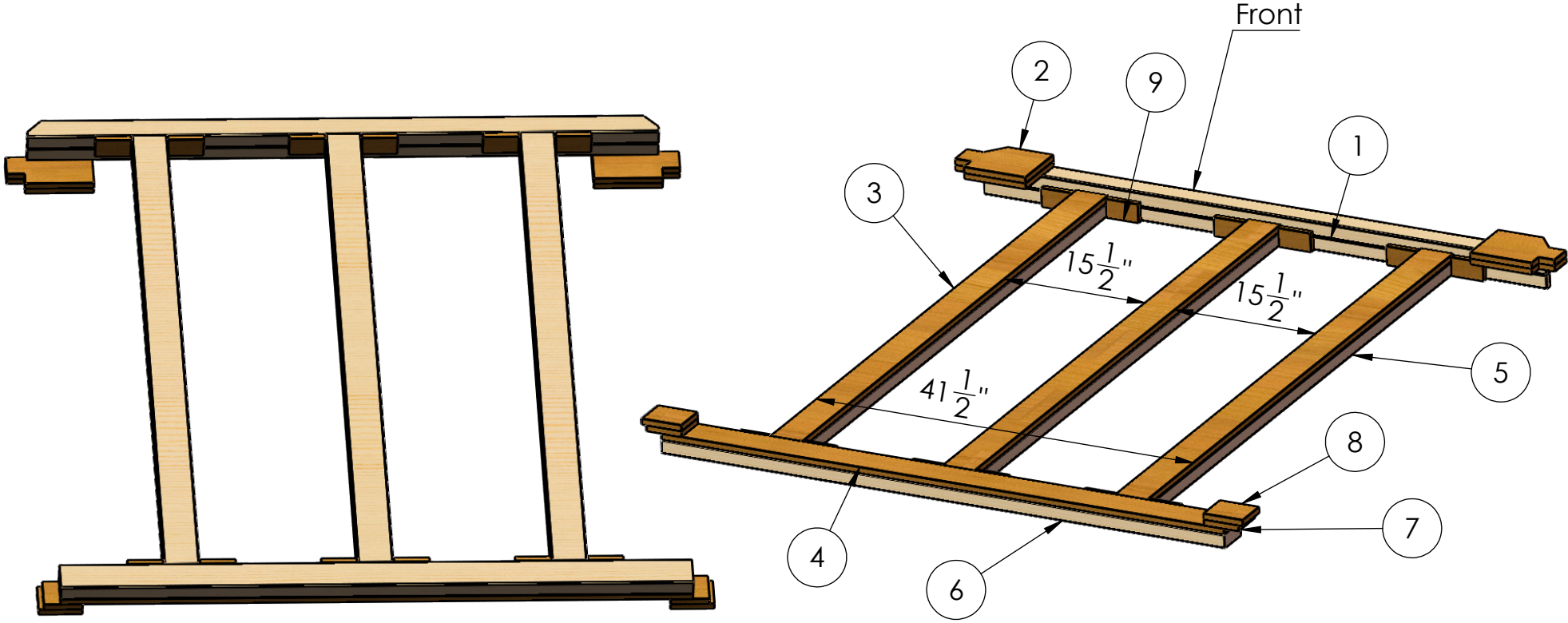


Master 50 Dodge Ram 2019 & + 6½'

Article #	Description	Lenght	Qty
1	2 x 3	61 7/8"	2
2	Plywood 5/8" cut at 6"	8 1/2"	4
3	Plywood 5/8" cut at 6"	65 3/4"	3
4	Plywood 5/8" cut at 3 1/2"	62"	1
5	2 x 4	65 3/4"	3
6	2 x 4	62"	1
7	Plywood 5/8" cut at 3 1/2"	3 13/16"	2
8	Plywood 5/8" cut at 3 1/2"	4 5/16"	2
9	Plywood 5/8" cut at 3 1/2"	2"	12



Description: Shim kit Master 50 6½' Dodge Ram 2019 & +

MORY inc.
701, rang St-Pierre - St-Anselme, QC - G0R 2N0
1-800-924-9804 - info@moryinc.com

Ownership and Confidentiality
The information contained in this drawing is the property of MORY inc.
All reproduction parts without written permission of MORY Inc. are
criminal offense.

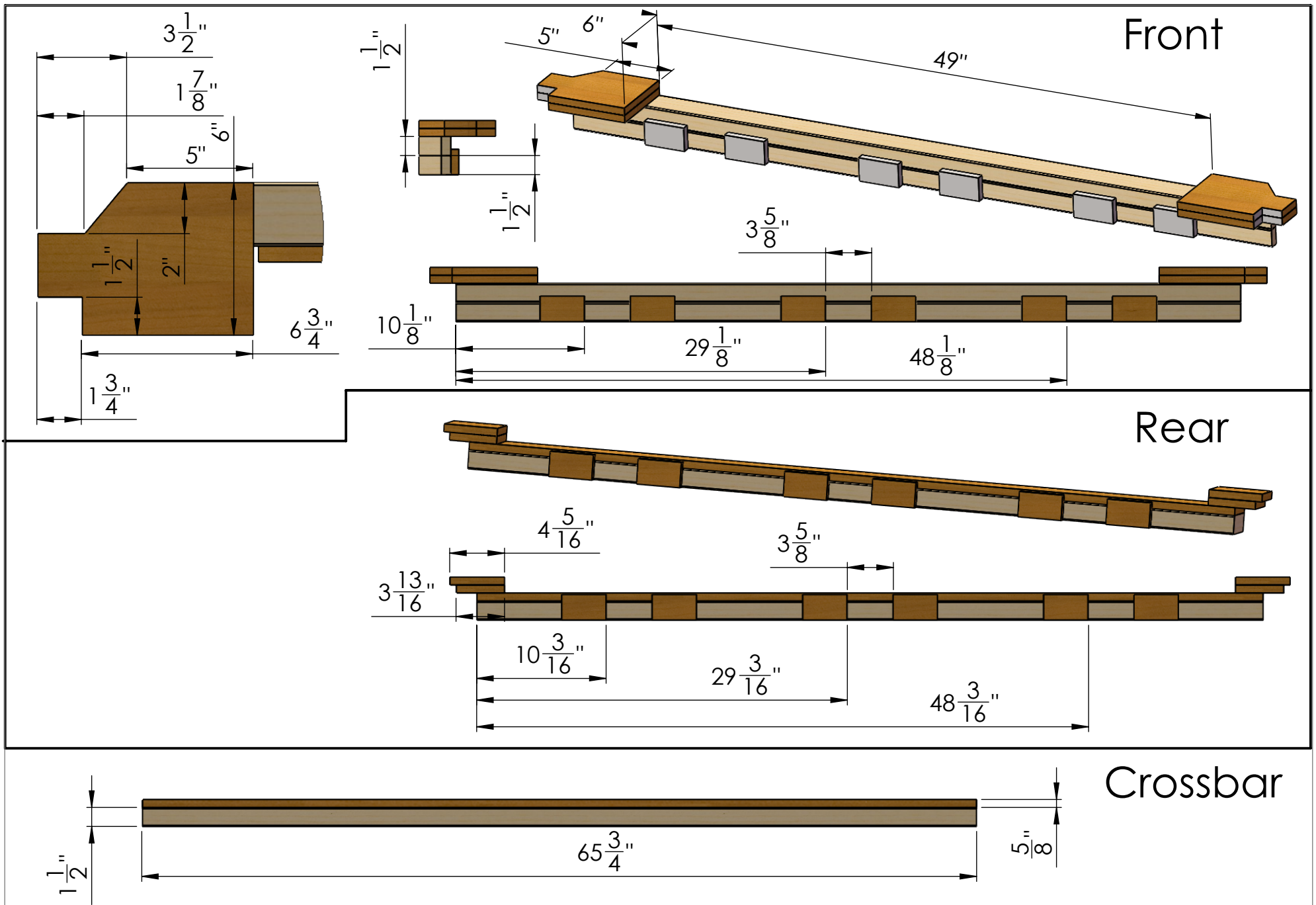
Customer: KS-M50C-RAM-2019+_eng

Drawn by: Stéphane Morin

Date: 2019-08-19

Scale: 1:15

SHEET 1 OF 2



Description: Shim kit Master 50 6 1/2 Dodge Ram 2019 & +

MORY inc.

701, rang St-Pierre - St-Anselme, QC - G0R 2N0
1-800-924-9804 - info@moryinc.com

Ownership and Confidentiality

The information contained in this drawing is the property of MORY inc.
All reproduction parts without written permission of MORY Inc. are
criminal offense.

Customer

KS-M50C-RAM-2019+_eng

Drawn by: Stéphane Morin

Date: 2019-08-19

Scale: 1:15

SHEET 2 OF 2