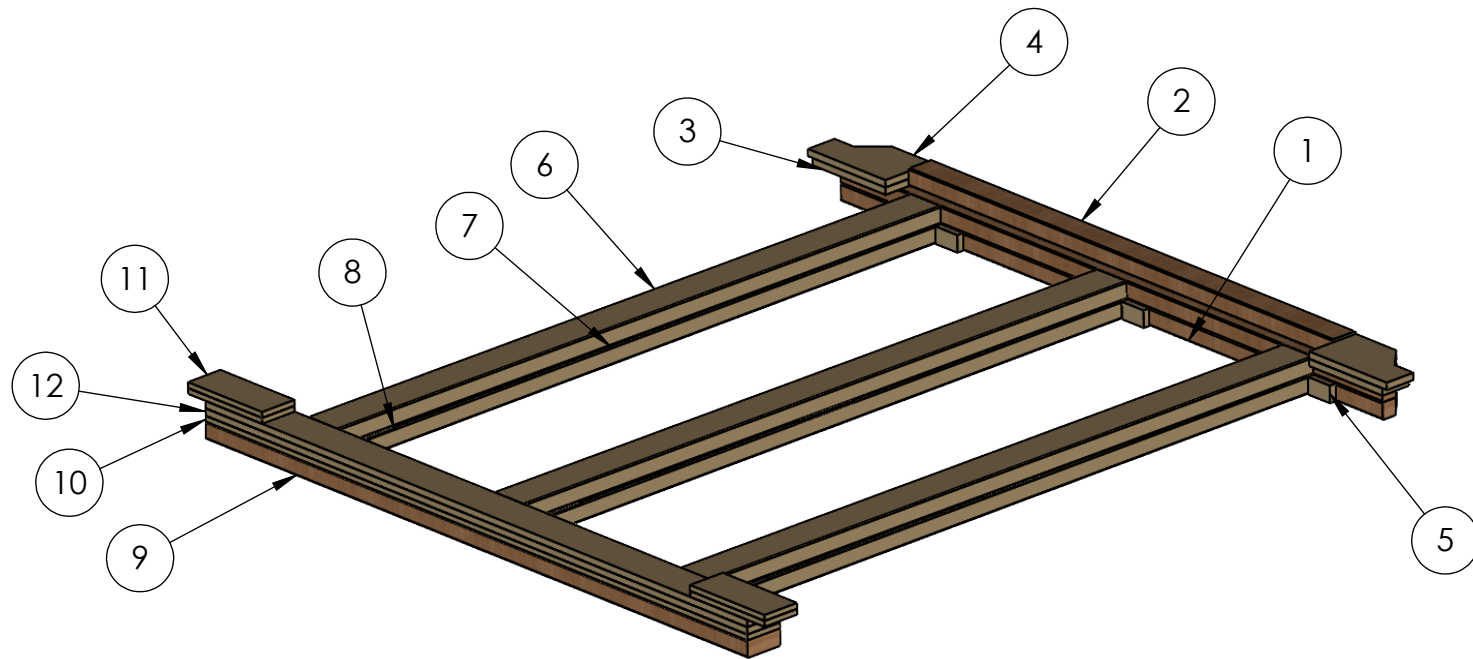


#	QTy	DESCRIPTION	LENGHT
1	2	2x4	62"
2	1	2x3	48 1/2"
3	2	Plywood 5/8" cut @ 5"	8 3/8"
4	2	Plywood 5/8" cut @ 5"	8 7/8"
5	12	Plywood 5/8" cut @ 2 1/2"	1 1/2"
6	6	2x4	64 1/2"
7	3	Plywood 1/8" cut @ 3 1/2"	6"
8	3	Plywood 1/4" cut @ 3 1/2"	6"
9	1	2X4	62"
10	1	Plywood 1/2" cut @ 3 1/2"	62"
11	4	Plywood 1/2" cut @ 3 1/2"	8 1/2"
12	2	Plywood 5/8" cut @ 3 1/2"	62"

Shim kit M60 & M75 Short bed (6 1/2') 2019 & +



Description: Kit de Shim Dodge Ram 2019 & + pour Master 60 & 75 boîte de 6 1/2'

135.64

MORY inc.

701, rang St-Pierre - St-Anselme, QC - G0R 2N0
1-800-924-9804 - info@moryinc.com

Ownership and Confidentiality

The information contained in this drawing is the property of MORY inc.
All reproduction parts without written permission of MORY Inc. are
criminal offense.

Customer

KS-M75C-M60C-RAM-2019+_eng

Drawn by: Stéphane Morin

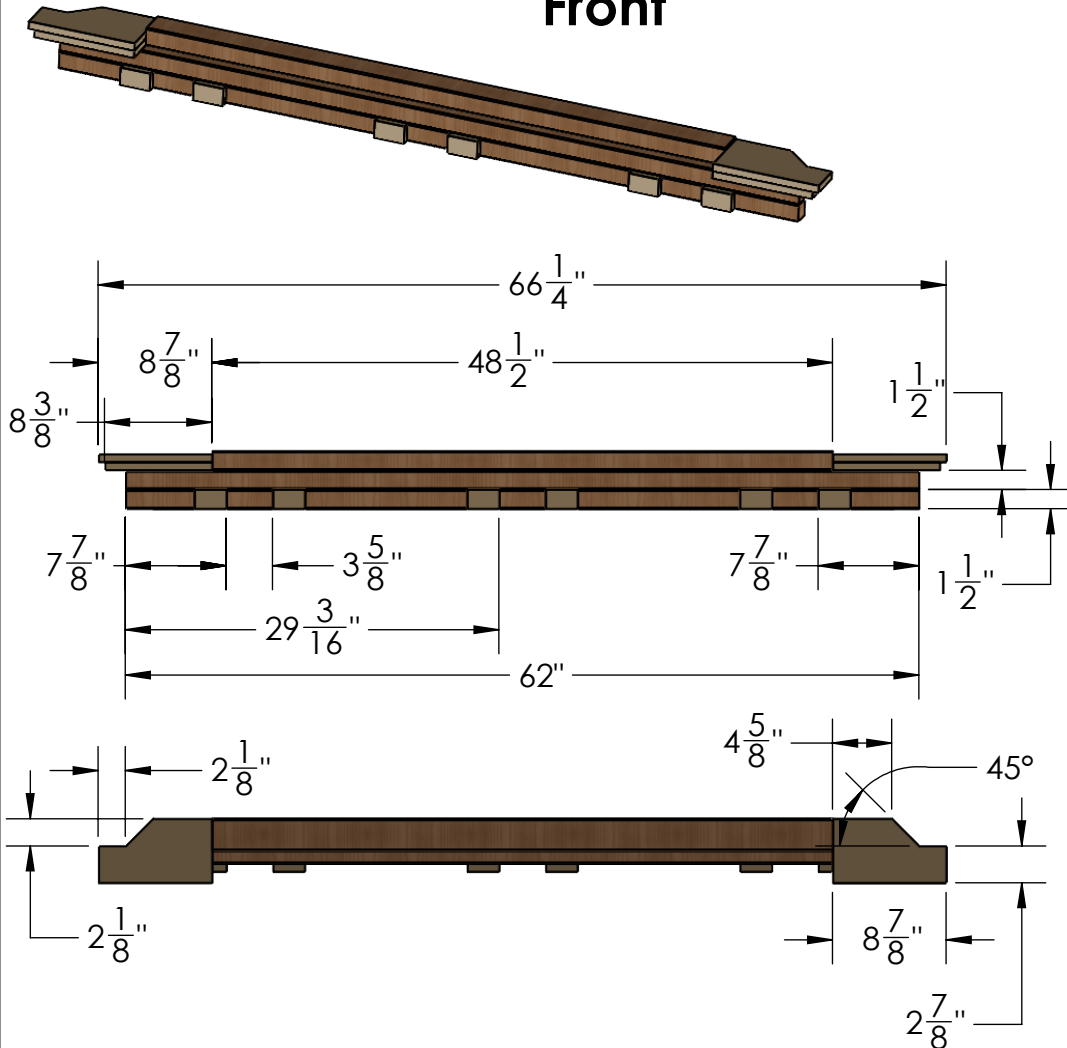
Matériau <non spécifié>

Date: 2020-10-14

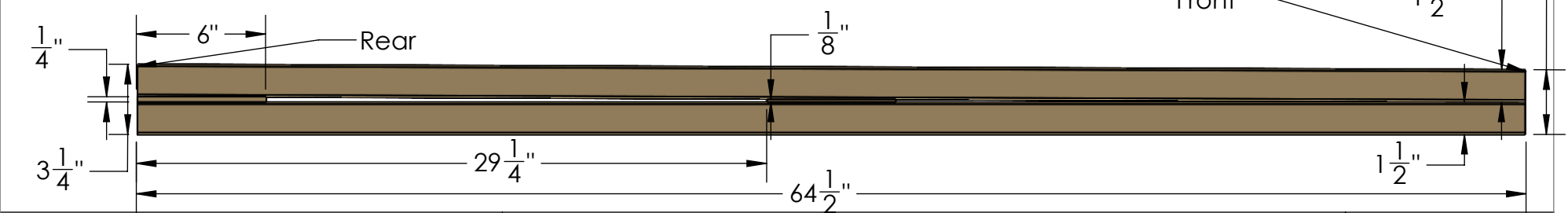
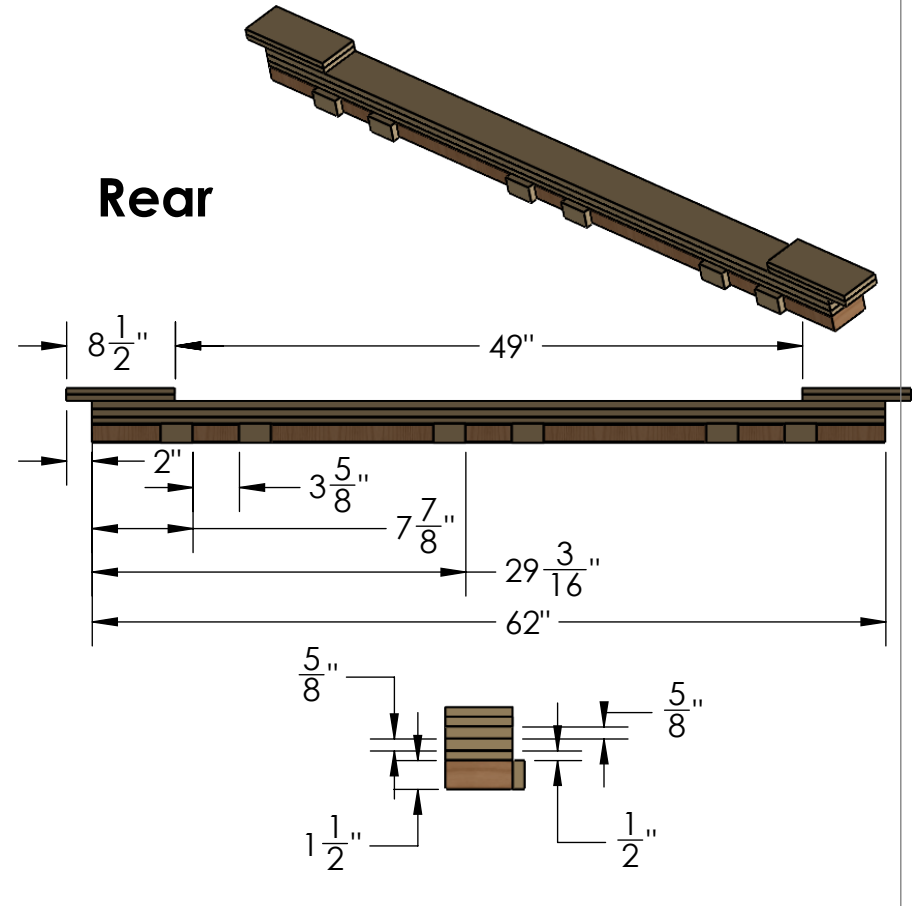
Scale: 1:15

SHEET 1 OF 2

Front



Rear



Description: Shim kit M60 & M75 Short bed (6 1/2') 2019 & +		135.64	
MORY inc. 701, rang St-Pierre - St-Anselme, QC - G0R 2N0 1-800-924-9804 - info@moryinc.com	Ownership and Confidentiality The information contained in this drawing is the property of MORY inc. All reproduction parts without written permission of MORY Inc. are criminal offense.	Drawing:	KS-M75C-M60C-RAM-2019+_eng
		Drawn by:	Stéphane Morin
		Date:	2020-10-14
		Scale:	1:15
		SHEET 2 OF 2	