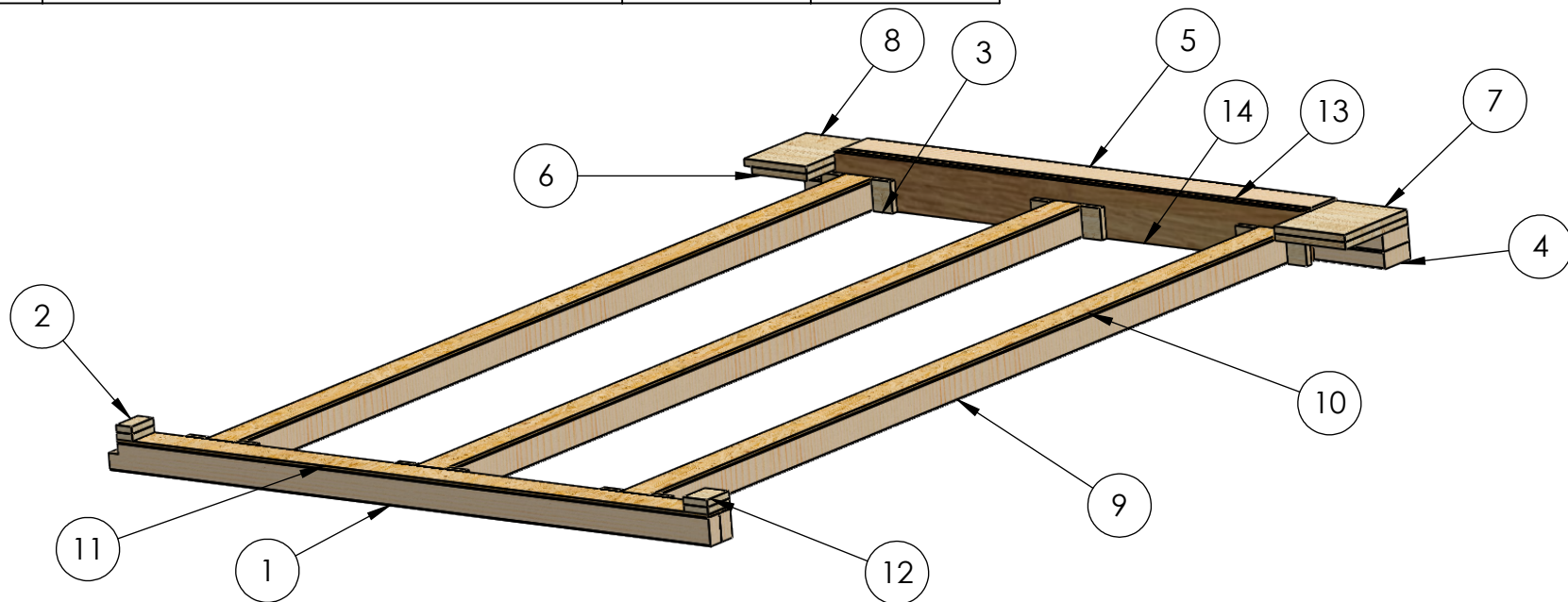


Number	Description	Qty	LENGTH
1	2 X 4	2	62 7/8"
2	5/8" plywood cut to 3" width	2	1 5/8"
3	5/8" plywood cut to 3" width	12	2 3/4"
4	2 x 4	2	60 5/8"
5	2 X 4	1	49"
6	5/8" plywood cut to 6" width	1	5 3/4"
7	5/8" plywood cut to 6" width	2	7 3/8"
8	5/8" plywood cut to 6" width	1	6 1/2"
9	2 x 3	6	87 1/2"
10	1/4" plywood cut to 3" width	3	87 1/2"
11	1/4" plywood cut to 3" width	1	61 7/8"
12	5/8" plywood cut to 3" width	2	2 1/2"
13	5/8" plywood cut to 4 1/2" width	1	49"
14	1/2" plywood cut to 4 1/2" width	1	49"

# Master 60L GMC 2500 8' 2500 2020 & +



Description: Shim kit for Master 60 long GMC 2500 HD 2020 & +

**MORY inc.**

701, rang St-Pierre - St-Anselme, QC - G0R 2N0  
1-800-924-9804 - info@moryinc.com

**Ownership and Confidentiality**

The information contained in this drawing is the property of MORY inc.  
All reproduction parts without written permission of MORY Inc. are  
criminal offense.

Customer

M60L-SHGM-2500-20+\_eng

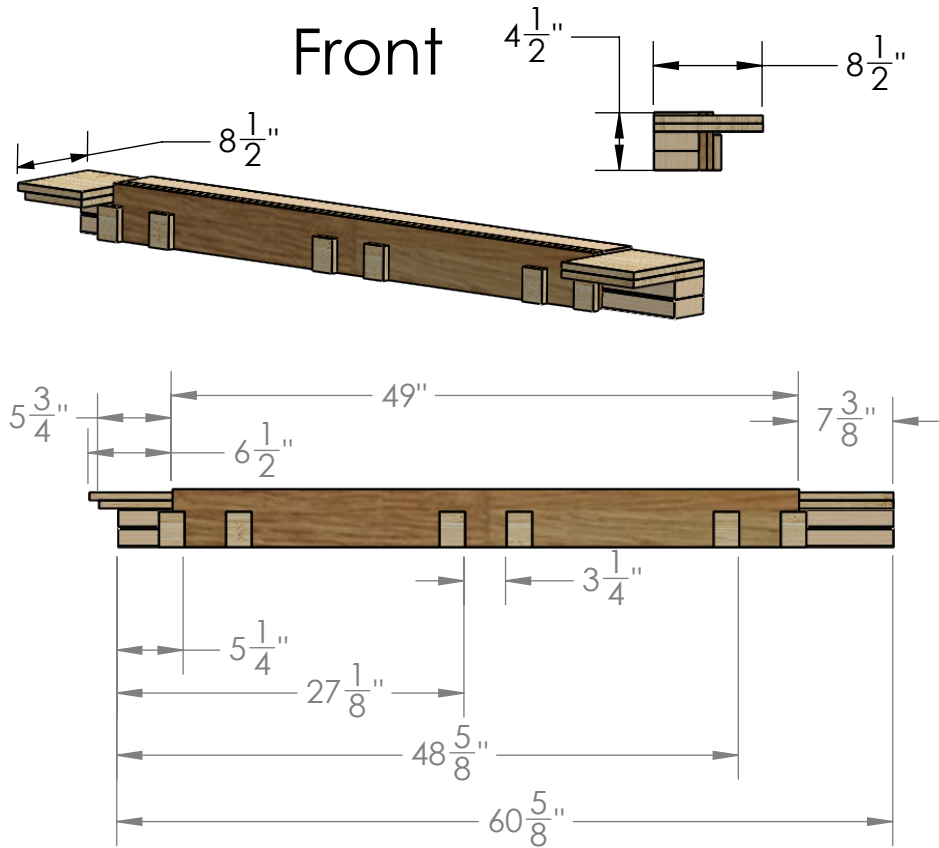
Drawn by: Stéphane Morin

Date: 2021-05-14

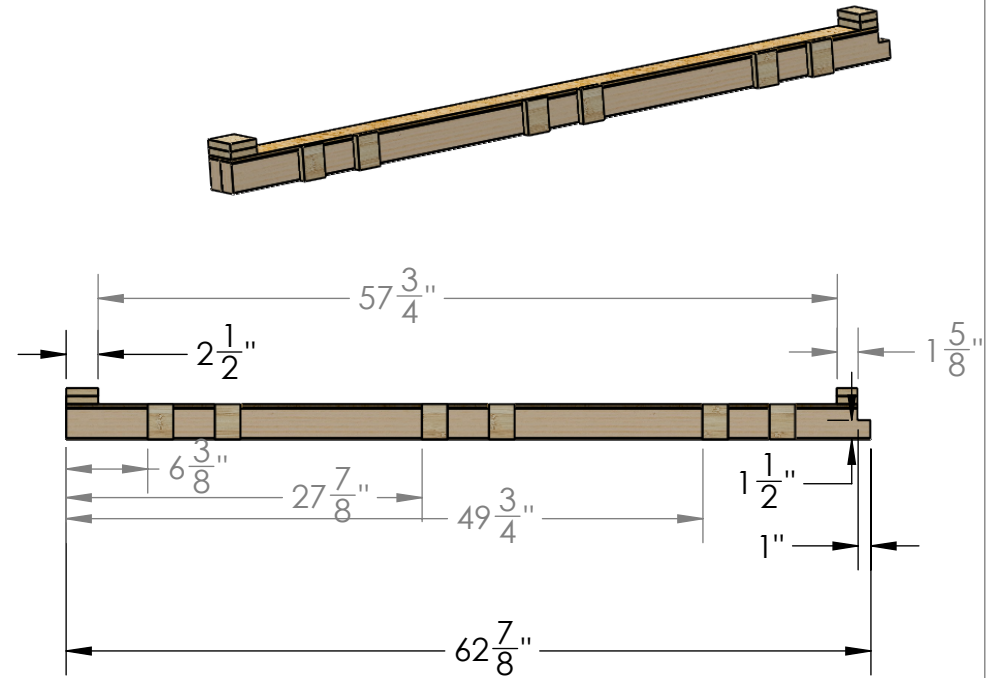
Scale: 1:15

SHEET 1 OF 2

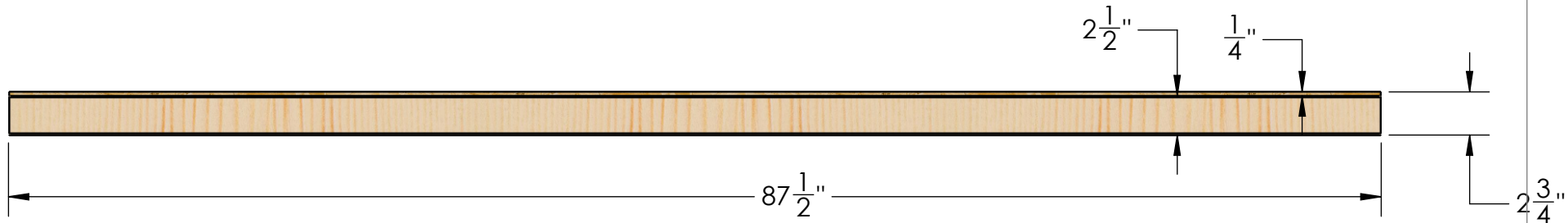
# Front



# Rear



# Crossbar



Description: Shim kit for Master 60 long GMC 2500 HD 2020 & +

**MORY inc.**

701, rang St-Pierre - St-Anselme, QC - G0R 2N0  
1-800-924-9804 - info@moryinc.com

**Ownership and Confidentiality**

The information contained in this drawing is the property of MORY inc.  
All reproduction parts without written permission of MORY Inc. are  
criminal offense.

**Customer**

M60L-SHGM-2500-20+\_eng

Drawn by: Stéphane Morin

Date: 2021-05-14

Scale: 1:15

SHEET 2 OF 2